

STEREO AMPLIFIER AX-397

SERVICE MANUAL

IMPORTANT NOTICE

This manual has been provided for the use of authorized YAMAHA Retailers and their service personnel. It has been assumed that basic service procedures inherent to the industry, and more specifically YAMAHA Products, are already known and understood by the users, and have therefore not been restated.

WARNING: Failure to follow appropriate service and safety procedures when servicing this product may result in personal injury, destruction of expensive components, and failure of the product to perform as specified. For these reasons, we advise all YAMAHA product owners that any service required should be performed by an authorized YAMAHA Retailer or the appointed service representative.

IMPORTANT: The presentation or sale of this manual to any individual or firm does not constitute authorization, certification or recognition of any applicable technical capabilities, or establish a principle-agent relationship of any form.

The data provided is believed to be accurate and applicable to the unit(s) indicated on the cover. The research, engineering, and service departments of YAMAHA are continually striving to improve YAMAHA products. Modifications are, therefore, inevitable and specifications are subject to change without notice or obligation to retrofit. Should any discrepancy appear to exist, please contact the distributor's Service Division.

WARNING: Static discharges can destroy expensive components. Discharge any static electricity your body may have accumulated by grounding yourself to the ground buss in the unit (heavy gauge black wires connect to this buss).

IMPORTANT: Turn the unit OFF during disassembly and part replacement. Recheck all work before you apply power to the unit.

AX-397

CONTENTS

TO SERVICE PERSONNEL	2-3	ADJUSTMENT / 調整	11
IMPEDANCE SELECTOR	3	IC DATA / ICデータ	12
REMOTE CONTROL PANEL	3	BLOCK DIAGRAM	13
FRONT PANEL	3	PIN CONNECTION DIAGRAM / 半導体外形図	14
REAR PANELS	4-6	PRINTED CIRCUIT BOARD	15-20
SPECIFICATIONS / 参考仕様	7-8	SCHEMATIC DIAGRAM	21-22
INTERNAL VIEW	8	PARTS LIST	23-33
DISASSEMBLY PROCEDURES / 分解手順	9	REMOTE CONTROL RAX15	34



このサービスマニュアルは、エコマーク認定の再生紙を使用しています。
This Service Manual uses recycled paper.

100976

© 2005 YAMAHA CORPORATION. All rights reserved.
This manual is copyrighted by YAMAHA and may not be copied or redistributed either in print or electronically without permission.



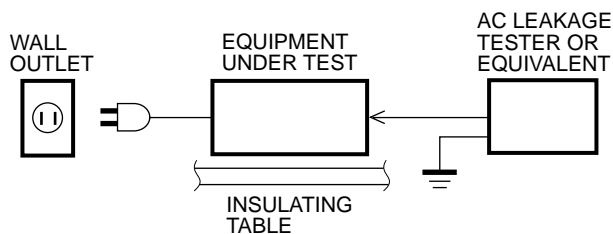
YAMAHA

YAMAHA CORPORATION
P.O.Box 1, Hamamatsu, Japan

05.09

■ TO SERVICE PERSONNEL

- Critical Components Information**
Components having special characteristics are marked \triangle and must be replaced with parts having specifications equal to those originally installed.
 - Leakage Current Measurement (For 120V Models Only)**
When service has been completed, it is imperative to verify that all exposed conductive surfaces are properly insulated from supply circuits.
- Meter impedance should be equivalent to 1500 ohms shunted by 0.15 μ F.



- Leakage current must not exceed 0.5mA.
- Be sure to test for leakage with the AC plug in both polarities.



“CAUTION”

“F151, F152 : FOR CONTINUED PROTECTION AGAINST RISK OF FIRE, REPLACE ONLY WITH SAME TYPE 6A, 125V FUSE.”

CAUTION

F151, F152 : REPLACE WITH SAME TYPE 6A, 125V FUSE.

ATTENTION

F151, F152 : UTILISER UN FUSIBLE DE RECHANGE DE MEME TYPE DE 6A, 125V.

WARNING: CHEMICAL CONTENT NOTICE!

The solder used in the production of this product contains LEAD. In addition, other electrical/electronic and/or plastic (where applicable) components may also contain traces of chemicals found by the California Health and Welfare Agency (and possibly other entities) to cause cancer and/or birth defects or other reproductive harm.

DO NOT PLACE SOLDER, ELECTRICAL/ELECTRONIC OR PLASTIC COMPONENTS IN YOUR MOUTH FOR ANY REASON WHATSOEVER!

Avoid prolonged, unprotected contact between solder and your skin! When soldering, do not inhale solder fumes or expose eyes to solder/flux vapor!

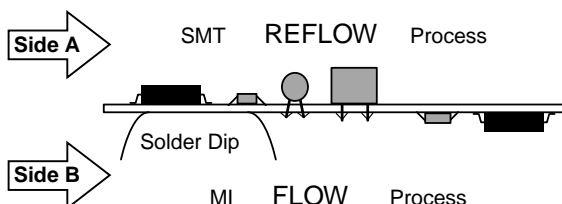
If you come in contact with solder or components located inside the enclosure of this product, wash your hands before handling food.

About Lead Free Solder / 無鉛ハンダについて

The P.C.B.s installed in this unit are soldered using the following solder.

本機に搭載されている基板のハンダ付けに使用されているハンダは下記の通りです。

	SIDE A / A 面	SIDE B / B 面
FUNCTION P.C.B.	-	Lead Free Solder / 無鉛ハンダ
MAIN P.C.B.	-	Lead Free Solder / 無鉛ハンダ



Among some types of lead free solder currently available, it is recommended to use one of the following types for the repair work.

- Sn + Ag + Cu (tin + silver + copper)
- Sn + Cu (tin + copper)
- Sn + Zn + Bi (tin + zinc + bismuth)

無鉛ハンダにはいくつかの種類がありますが、修理時には下記のような無鉛ハンダの使用を推奨します。

- Sn+Ag+Cu (錫 + 銀 + 銅)
- Sn+Cu (錫 + 銅)
- Sn+Zn+Bi (錫 + 亜鉛 + ビスマス)

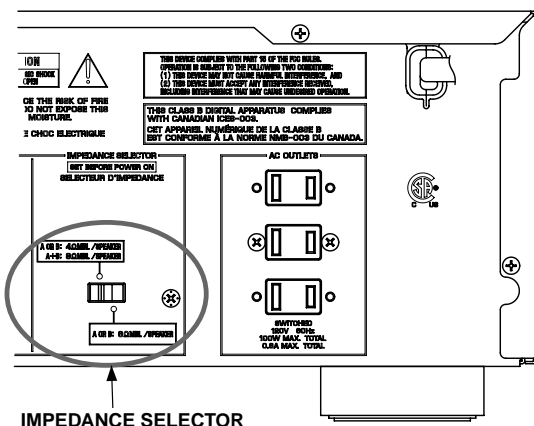
Caution:

1. As the melting point temperature of the lead free solder is about 30°C to 40°C (50°F to 70°F) higher than that of the lead solder, be sure to use a soldering iron suitable to each solder.
2. If lead solder must be used, be sure to remove lead free solder from each terminal section of the parts to be replaced and from the area around it completely before soldering, or make sure that the lead free solder and lead solder melt together fully.

注意：

1. 無鉛ハンダの融点温度は通常の鉛入りハンダに比べ30～40 程度高くなっていますので、それぞれのハンダに合ったハンダごてをご使用ください。
2. 鉛入りハンダを使わざるを得ない場合は、あらかじめ交換する部品端子部やその周辺部の無鉛ハンダをすべて取り除くか、あるいは無鉛ハンダと鉛入りハンダが十分に溶けた状態となるようにハンダ付けしてください。

■ IMPEDANCE SELECTOR

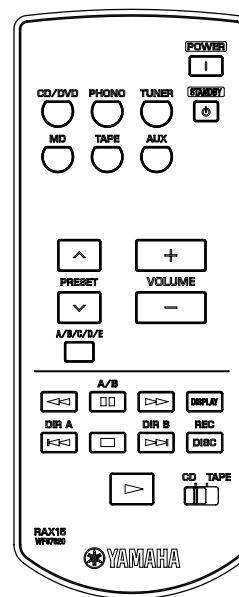


WARNING:

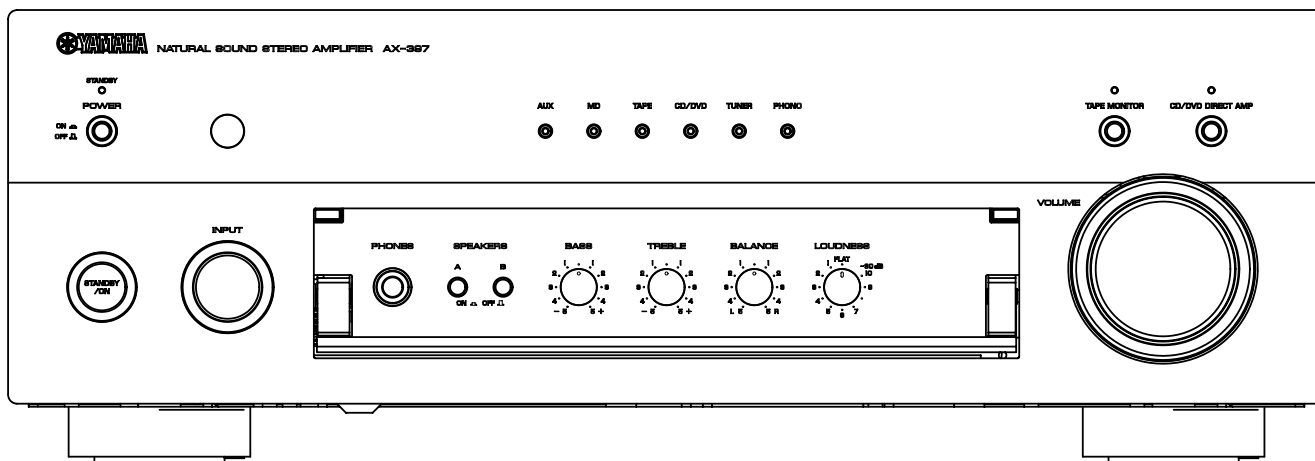
Do not change the setting of the IMPEDANCE SELECTOR switch when the unit power is switched on, as doing so may damage the unit.

ご注意
インピーダンスセレクターの切り換えは、必ず電源を切ってから行ってください。
電源を入れたまま行くと、故障の原因となります。

■ REMOTE CONTROL PANEL



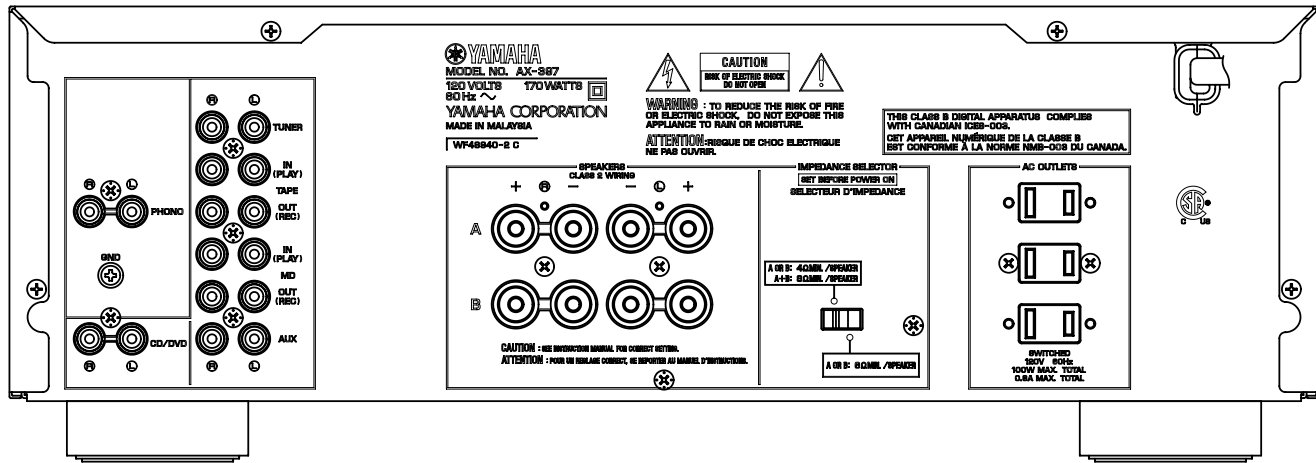
■ FRONT PANEL



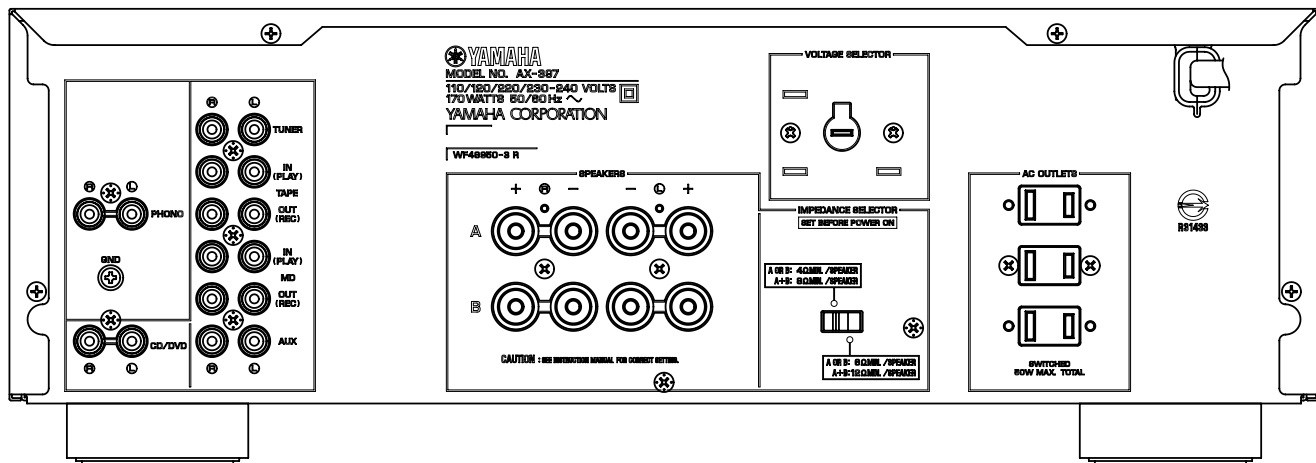
AX-397

REAR PANELS

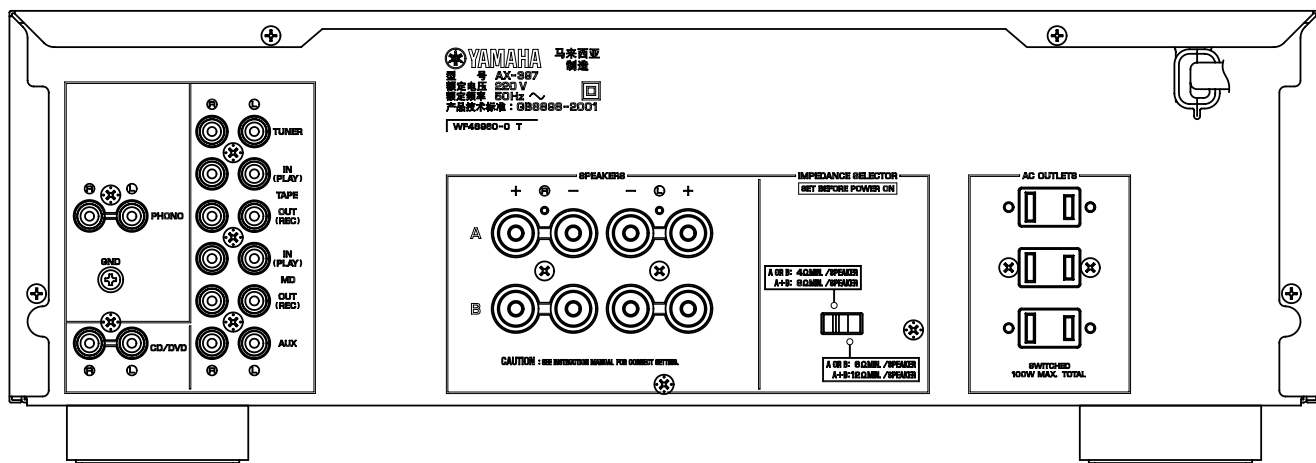
▼ C models



▼ R model

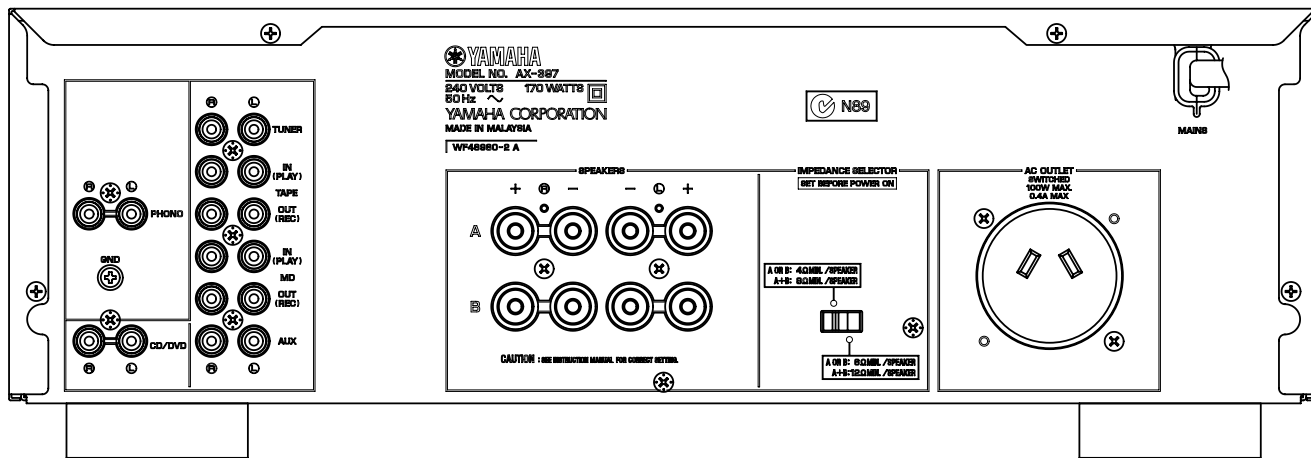


▼ T model

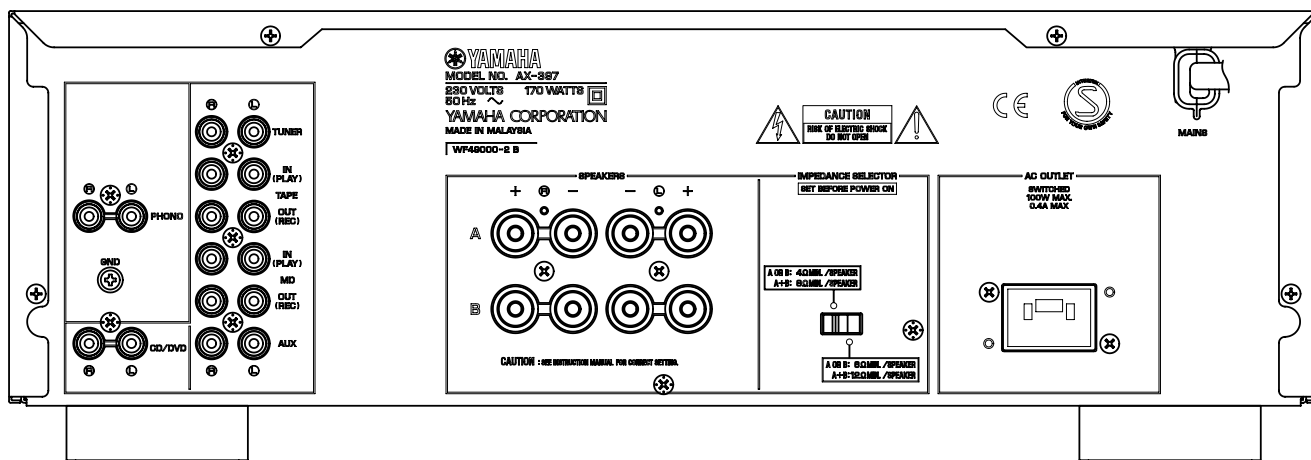


AX-397

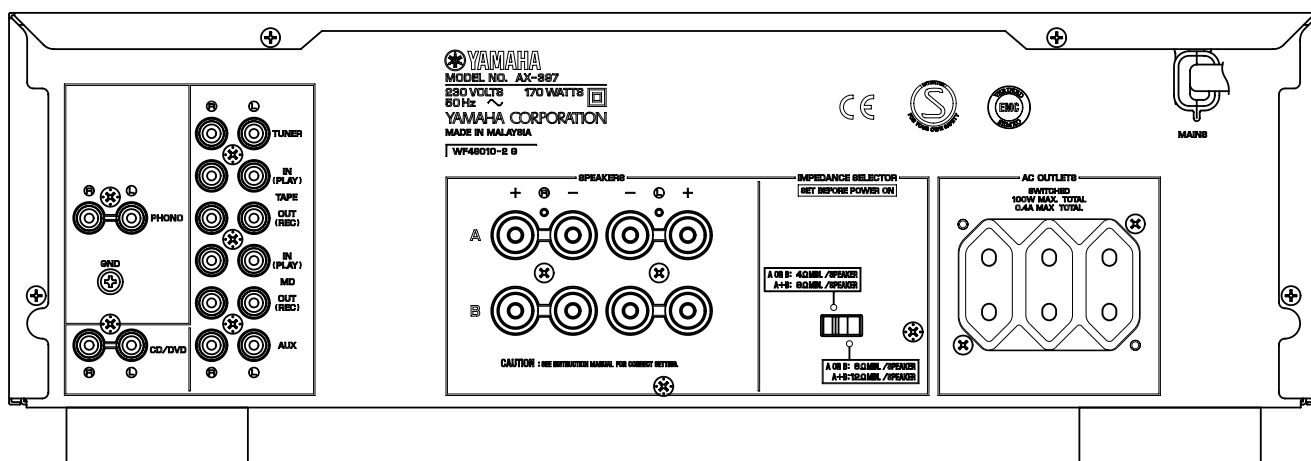
▼ A model



▼ B model

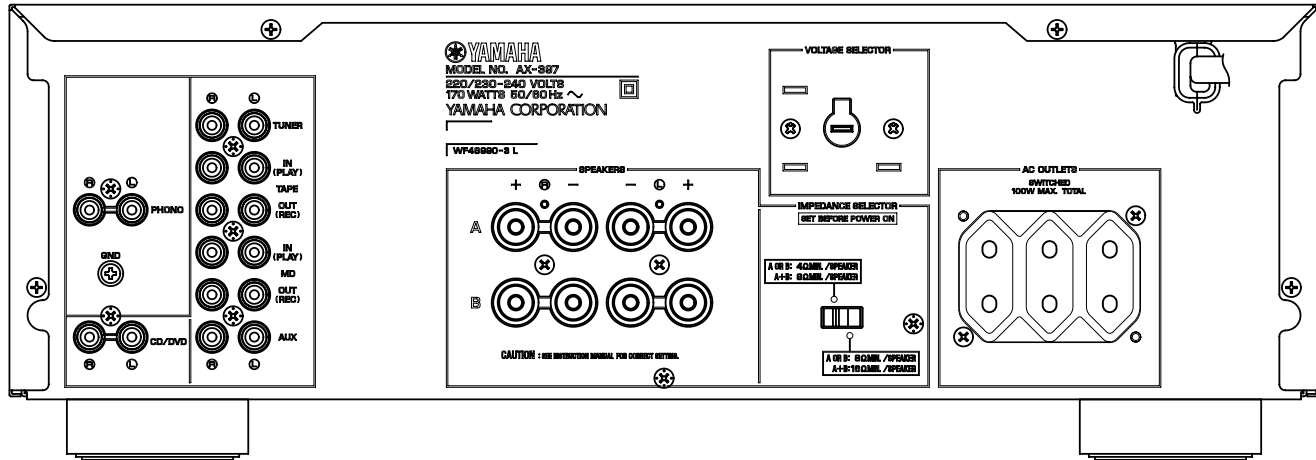


▼ G, E models

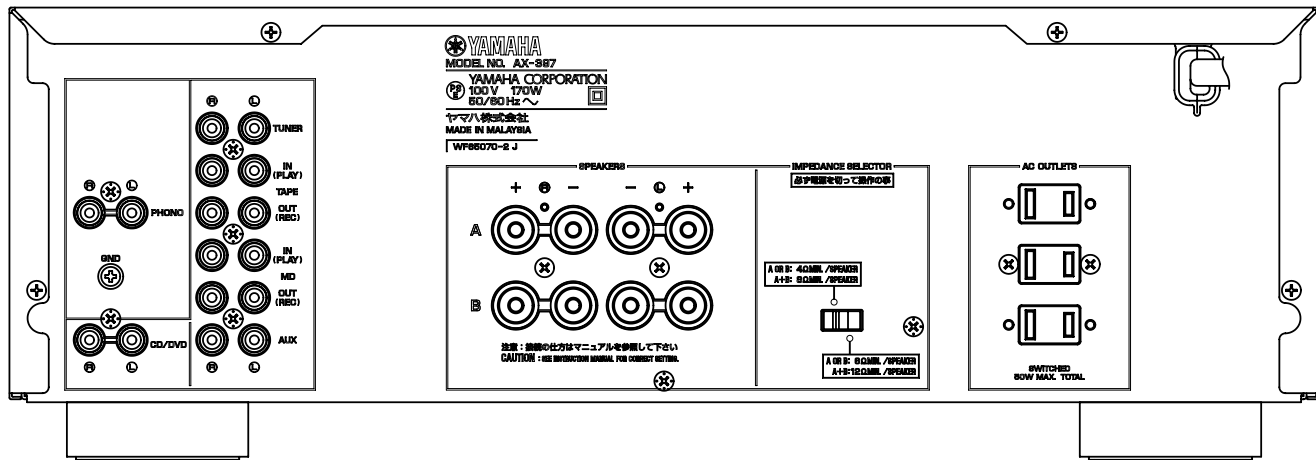


AX-397

▼ L model



▼ J model



AX-397

■ SPECIFICATIONS / 参考仕様

AUDIO SECTION / オーディオ部

Minimum RMS Output Power (Power Amp. Section) / 定格出力
L/R, 20 Hz to 20 kHz

C, R, T, A, B, G, E, L, J models (0.019% THD, 8 ohms) 60 W + 60 W

C, R, T, A, B, G, E, J models (0.038% THD, 6 ohms) 70 W + 70 W

Dynamic Power Per Channel (IHF) / ダイナミックパワー

8/6/4/2 ohms 100/120/140/150 W

Maximum Power Per Channel (B, G, E models)

1 kHz, 0.7 % THD, 4 ohms 95 W

IEC Power (B, G, E models)

1 kHz, 0.019% THD, 8 ohms 75 W

Power Band Width / パワーバンド

L/R, 0.04% THD, 30 W, 8 ohms 10 Hz to 50 kHz

Damping Factor / ダンピングファクタ

20 Hz to 20 kHz, SPEAKER-A, 8 ohms 240 or more

Maximum Power (EIAJ) / 実用最大出力

1 kHz, 10 % THD

R, T, L, J models (8 ohms) 100 W

R, T, J models (6 ohms) 110 W

Input Sensitivity/Input Impedance / 入力感度/入力インピーダンス

PHONO MM 2.5 mV/47 k-ohms

CD, etc. 165 mV/47 k-ohms

Maximum Input Signal / 最大許容入力

PHONO MM, 1kHz, 0.003 % THD 115 mV

CD, etc., 1kHz, 0.5 % THD 2.2 V

Output Level/Output Impedance / 出力電圧/出力インピーダンス

REC OUT 165 mV/1.6 k-ohms

Headphone Jack Rated Output/Output Impedance /

ヘッドホン出力/出力インピーダンス

CD, etc. 1 kHz, 150 mV, 8 ohms, 0.019% THD 250 mV/680 ohms

Frequency Response / 周波数特性

CD, etc. 20 Hz to 20 kHz 0 ± 0.5 dB

CD/DVD DIRECT AMP ON, 10 Hz to 100 kHz 0 ± 1.0 dB

RIAA Equalization Deviation / RIAA偏差

PHONO MM 0 ± 0.3 dB

Total Harmonic Distortion (20 Hz to 20 kHz) / 全高調波歪率

PHONO MM to REC OUT (3 V) 0.003 % or less

CD, etc. to SP OUT (42.5 W/8 ohms) 0.009 % or less

Signal to Noise Ratio (IHF-A Network) / S/N比

PHONO MM (Input shorted, 5 mV) 88 dB or more

CD (CD DIRECT AMP ON, Input shorted, 165mV) 110 dB or more

Residual Noise (IHF-A Network) / 残留ノイズ

CD DIRECT AMP ON 35 μV or less

CD DIRECT AMP OFF 100 μV or less

Channel Separation / チャンネルセパレーション

CD, etc. (Input 5.1 k-ohms shorted)

1 kHz 65 dB or more

10 kHz 50 dB or more

Tone Control Characteristics / トーンコントロール特性

BASS Boost/Cut (20 Hz) +10 dB/-10 dB

Turnover Frequency 350 Hz

TREBLE Boost/Cut (20 kHz) +10 dB/-10 dB

Turnover Frequency 3.5 kHz

Continuous Loudness Control /

コンティニューアスラウドネスコントロール

Attenuation (1 kHz) -30 dB

Gain Tracking Error / ゲイントラッキングエラー

0 to -60 dB 2 dB or less

GENERAL / 総合

Power Supply / 電源電圧

C model AC 120 V, 60 Hz

R model AC 110/120/220/230-240 V, 50/60 Hz

T model AC 220 V, 50 Hz

A model AC 240 V, 50 Hz

B, G, E models AC 230 V, 50 Hz

L model AC 220/230-240 V, 50/60 Hz

J model AC 100 V, 50/60 Hz

Power Consumption / 消費電力 170 W

Standby Power Consumption / 待機時消費電力

C, T, A, B, G, E, J models 1.1 W

R model (AC 110/120 V) 1.1 W

R, L models (AC 220/230-240 V) 2.7 W

Maximum Power Consumption

R model (1 kHz, 6 ohms, 10% THD) 400 W

AC Outlet / ACアウトレット

3 Switched Outlet

R, J models 50 W Max. total

C, T, G, E, L models 100 W Max. total

1 Switched Outlet

A, B models 100 W Max.

Dimensions (W x H x D) / 寸法(幅 × 高さ × 奥行き)

..... 435 x 151 x 390 mm

(17-1/8" x 5-15/16" x 15-3/8")

Weight / 質量 8.3 kg (18 lbs 5 oz)

Finish / 仕上げ Black color (C, R, A, B, G, E, L models)

Titanium color (R, B, G, E, L models)

Gold color (J, T, L models)

Accessories / 付属品 Remote Control x 1

Battery (Manganese Dry) x 2

* Specifications subject to change without notice.

C Canadian model

G European model

R General model

E South European model

T Chinese model

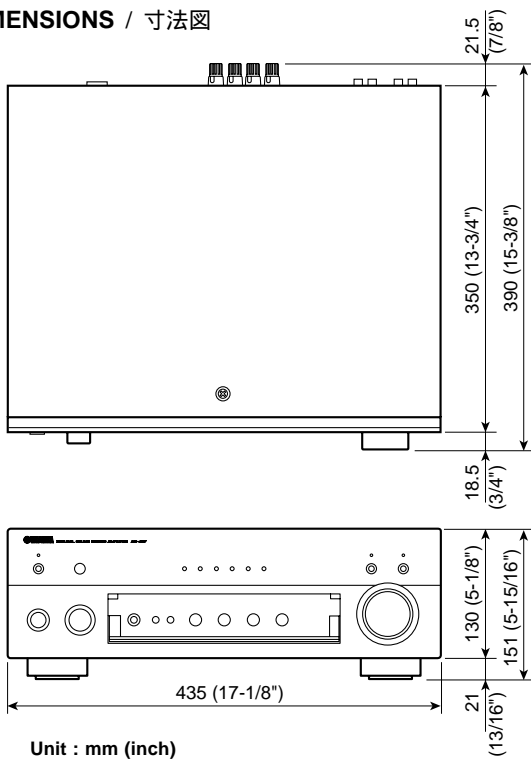
L Singapore model

A Australian model

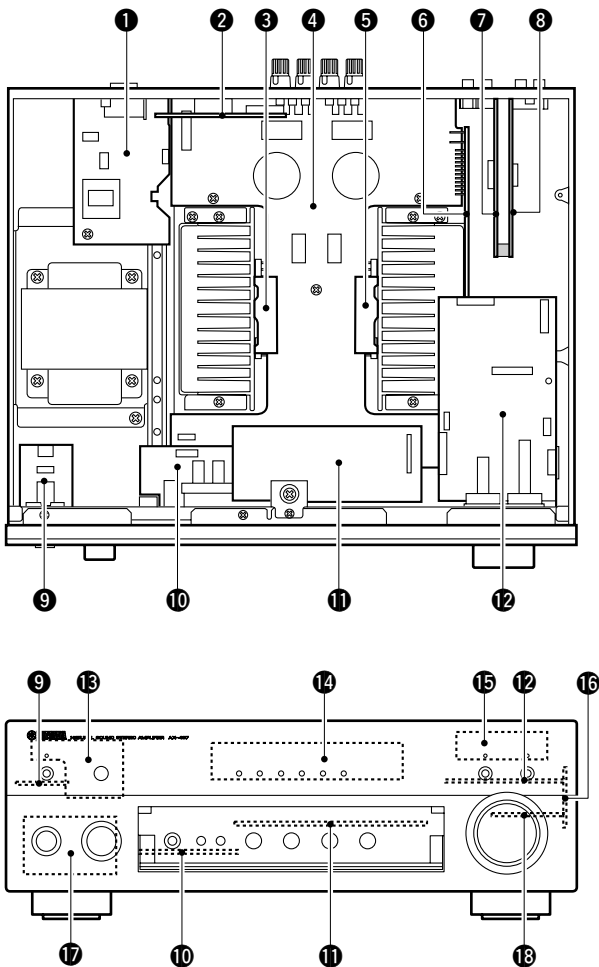
J Japanese model

B British model

DIMENSIONS / 寸法図



INTERNAL VIEW



- ① MAIN (2) P.C.B.
- ② MAIN (4) P.C.B. (R, L models)
- ③ MAIN (5) P.C.B.
- ④ MAIN (1) P.C.B.
- ⑤ MAIN (6) P.C.B.
- ⑥ MAIN (3) P.C.B.
- ⑦ FUNCTION (4) P.C.B.
- ⑧ FUNCTION (5) P.C.B.
- ⑨ FUNCTION (12) P.C.B.
- ⑩ FUNCTION (7) P.C.B.
- ⑪ FUNCTION (6) P.C.B.
- ⑫ FUNCTION (1) P.C.B.
- ⑬ FUNCTION (10) P.C.B.
- ⑭ FUNCTION (8) P.C.B.
- ⑮ FUNCTION (11) P.C.B.
- ⑯ FUNCTION (2) P.C.B.
- ⑰ FUNCTION (9) P.C.B.
- ⑱ FUNCTION (3) P.C.B.

AX-397

■ DISASSEMBLY PROCEDURES / 分解手順

- Remove parts in disassembly order as numbered.
- Disconnect the power cable from the AC outlet.

1. Removal of Top Cover

- Remove 4 screws (①), 1 screw (②) and 4 screws (③). (Fig. 1)
- Slide the Top Cover rearward to remove it. (Fig. 1)

2. Removal of Front Panel Unit

- Remove the INPUT knob.
- Remove 1 screw (④) and then remove the Support Top. (Fig. 1)
- Remove 7 screws (⑤) and then remove the Front Panel Unit. (Fig. 1)

3. Removal of Plate Side

Remove 2 push rivets (⑥) and then remove the Plate Side L/R. (Fig. 1)

4. Removal of Sub Chassis Unit

- Remove 1 push rivet (⑦). (Fig. 1)
- Remove 2 screws (⑧) and then slide the Sub Chassis Unit forward. (Fig. 1)
- Loosen the harness fixture fixing the cable.
- Remove connectors CB221, CB226, CB302, CB306, CB532, CB581 and CB681 and then remove the Sub Chassis Unit. (Fig. 1)

- 番号順に部品を取り外してください。
- AC電源コンセントから、電源コードを抜いてください。

1. トップカバーの外し方

- ①のネジ4本、②のネジ1本、③のネジ4本を外します。(Fig. 1)
- トップカバーを後方へスライドさせ取り外します。(Fig. 1)

2. フロントパネルユニットの外し方

- INPUTツマミを取り外します。
- ④のネジ1本を外し、サポートトップを取り外します。(Fig. 1)
- ⑤のネジ7本を外し、フロントパネルユニットを取り外します。(Fig. 1)

3. プレートサイドの外し方

⑥のプッシュリベット2本を外し、プレートサイドL/Rを取り外します。(Fig. 1)

4. サブシャーシユニットの外し方

- ⑦のプッシュリベット1本を外します。(Fig. 1)
- ⑧のネジ2本を外し、サブシャーシユニットを前方へ引き出します。(Fig. 1)
- ケーブルを固定している束線止めをゆるめます。
- コネクタCB221、CB226、CB302、CB306、CB532、CB581、CB681を外し、サブシャーシユニットを取り外します。(Fig. 1)

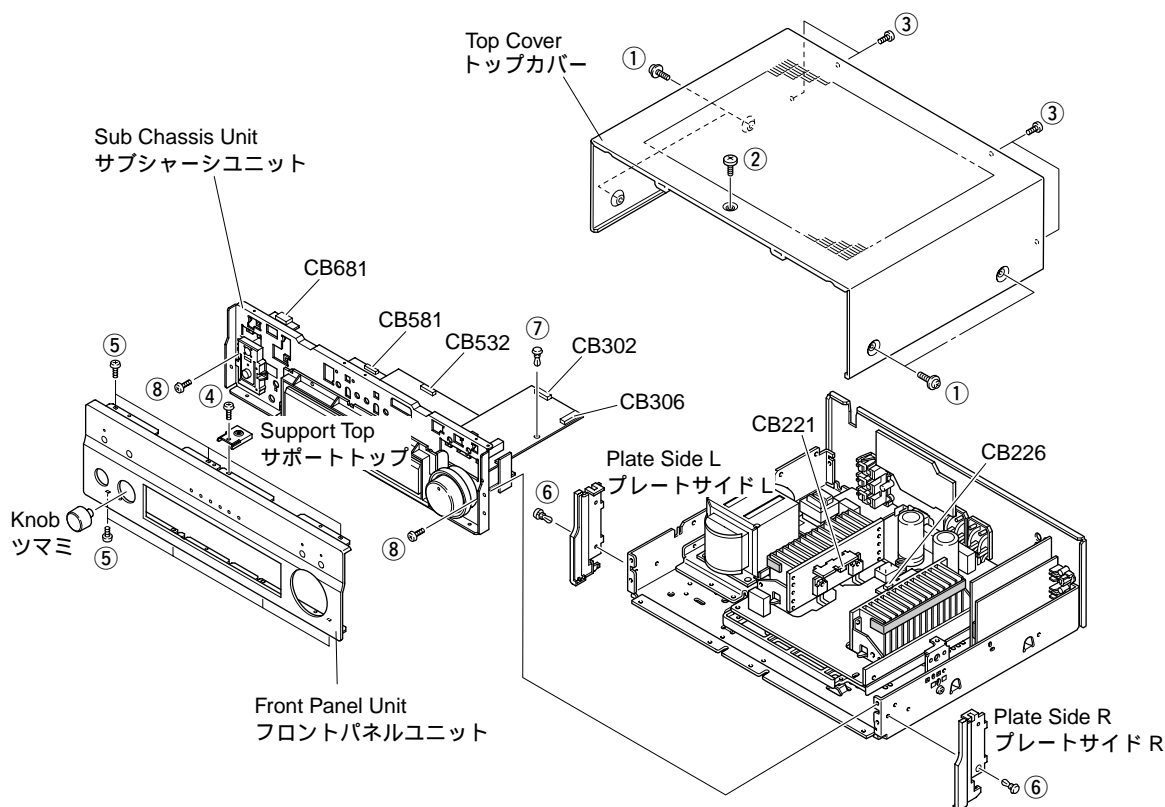


Fig. 1

5. Removal of Amp Unit

- a. Remove 1 screw (⑨) attaching the Impedance Selector. (Fig. 2)
- b. Remove 2 screws (⑩) attaching the Speaker Terminal. (Fig. 2)
- c. Remove 2 screws (⑪) and then remove the MAIN (4) P.C.B. (Fig. 2) (R, L models only)
- d. Remove 2 screws (⑫) and 2 screws (⑬). (Fig. 2)
- e. Remove connectors CB3 and CB151. (Fig. 2)
- f. Remove the Amp Unit. (Fig. 2)

5. アンプユニットの外し方

- a. インピーダンスセレクターを止めている⑨のネジ1本を外します。(Fig. 2)
- b. スピーカーターミナルを止めている⑩のネジ2本を外します。(Fig. 2)
- c. ⑪のネジ2本を外し、MAIN (4) P. C.B.を取り外します。(Fig. 2)(R, L仕向けのみ)
- d. ⑫のネジ2本と⑬のネジ2本を外します。(Fig. 2)
- e. コネクターCB3とCB151を外します。(Fig. 2)
- f. アンプユニットを取り外します。(Fig. 2)

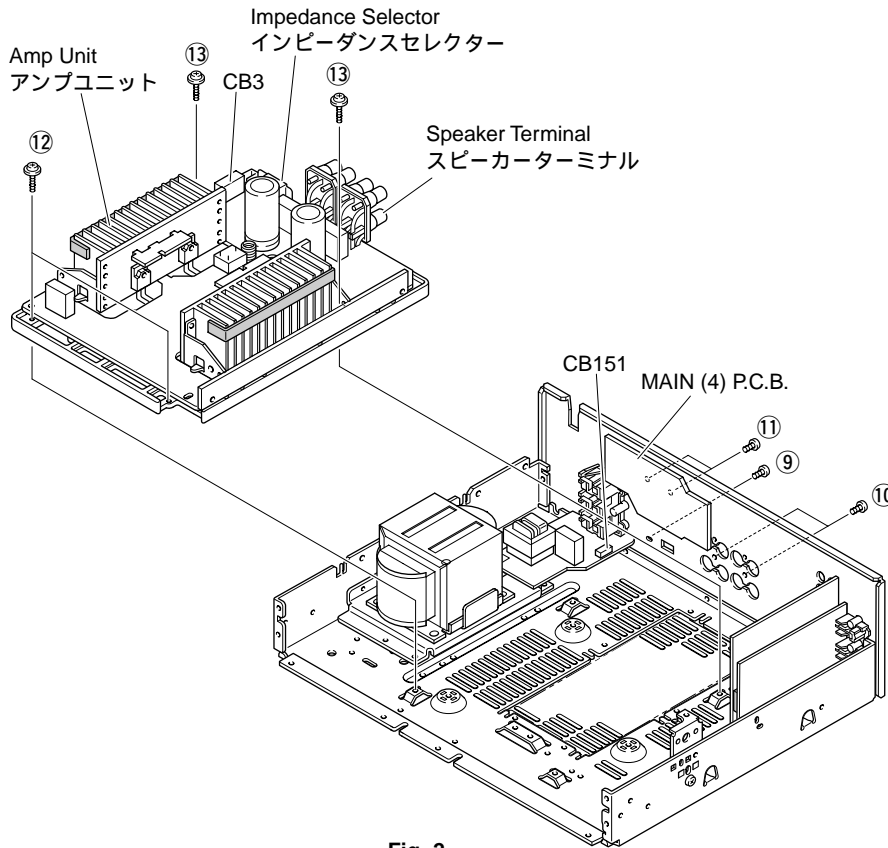


Fig. 2

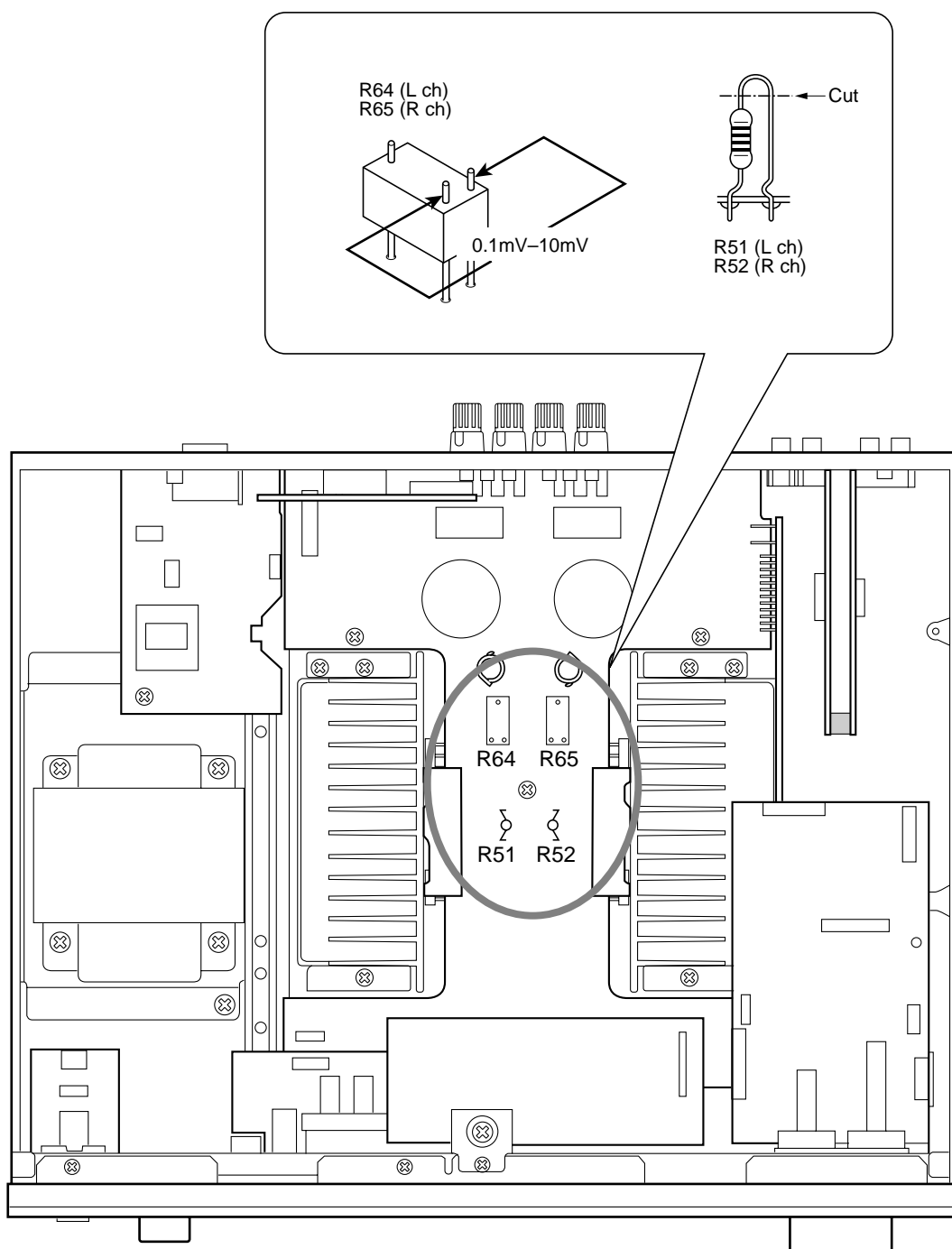
■ ADJUSTMENT / 調整

● CONFIRMATION OF IDLING CURRENT

1. Right after the power is turned on, confirm that the voltage across the terminals of R64 (L ch) and R65 (R ch) are between 0.1mV to 10.0mV.
2. If the measured voltage exceeds 10.0mV, open (cut off) R51 (L ch), R52 (R ch) and reconfirm the voltage.
3. Confirm that the voltage is between 0.25mV and 30.0mV after 60 minutes.

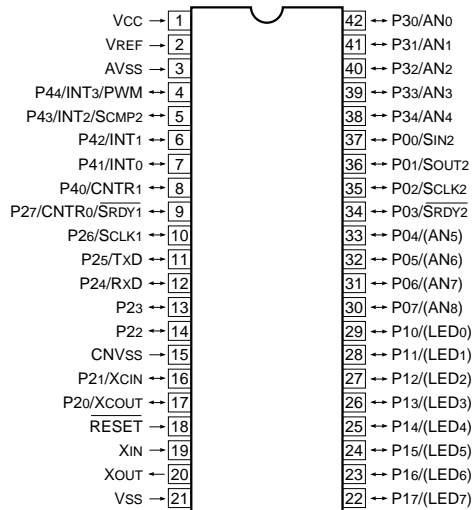
● アイドリング電流の確認

1. 電源投入直後、R64 (L ch)/R65 (R ch)の端子間の電圧を測定し、0.1mV から 10.0mV の間であることを確認してください。
2. 電圧が10mVを越えている場合は、R51 (L ch)/R52 (R ch)の抵抗をカットし、電圧を再確認してください。
3. 60分後、電圧が0.25mV ~ 30.0mVであることを確認してください。



■ IC DATA / ICデータ

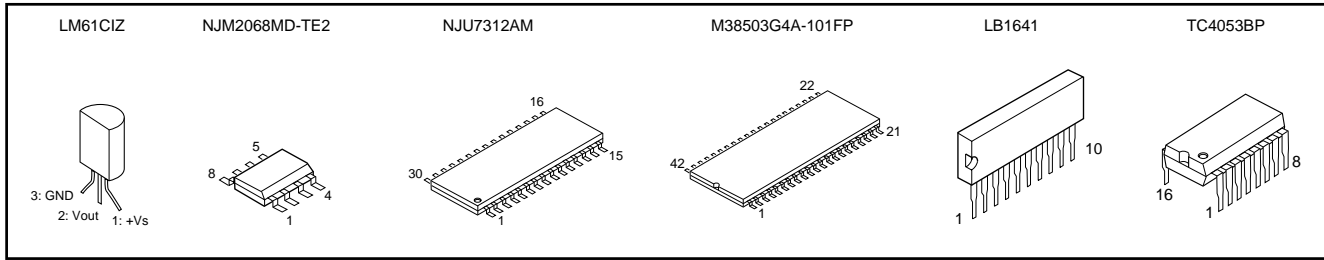
IC301 : M38503G4A-101FP (FUNCTION (1) P.C.B.) 8-bit Microprocessor



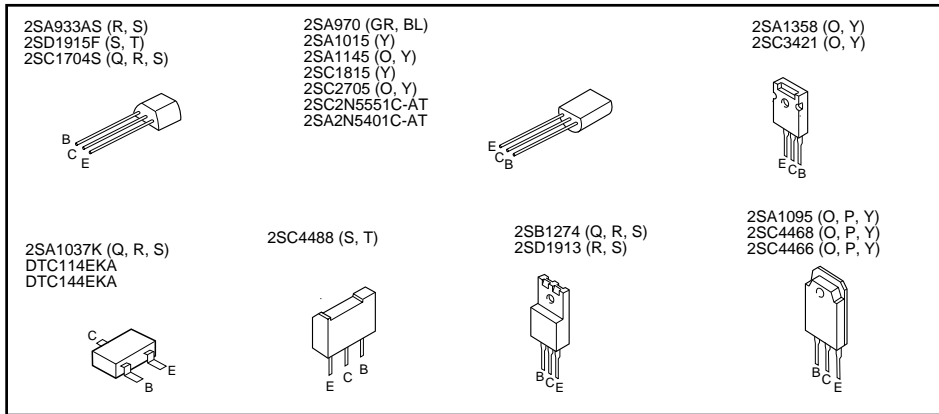
No.	Port	Name	I/O	Function
1	VCC		MCU	Power Supply, +5V
2	VREF		MCU	AD Reference
3	AVSS		MCU	AD Ground
4	P44/INT3/PWM	PD	I	Power Down Detect
5	P43/INT2/SCMP2	TPM/PD	I	Tape Monitor /Pure Direct SW
6	P42/INT1	PS	I	SYSTEM Power SW
7	P41/INT0	REM	I	Remote Control (Wake up)
8	P40/CNTR1	PRINH	I	Release the Protection
9	P27/CNTR0//SRDY1	CEI	O	Chip Enable (INPUT SEL)
10	P26/SCLK1	CK	O	Clock
11	P25/TxD	DATA	O	Data
12	P24/RxD	TMO/DEST	O/I	Tape Monitor (397)/Destination Distinction (497)
13	P23	VRUP	O	Motor Volume (UP)
14	P22	VRDN	O	Motor Volume (DOWN)
15	CNVSS	CNVSS	MCU	VSS: when single chip mode is used, VCC: when flash writing is used
16	P21/XCIN	D43	I	AX-497/397 Detect
17	P20/XCOUT	CDM	O	CD Direct Mute
18	/RESET		MCU	Reset
19	XIN		MCU	Oscillator In
20	XOUT		MCU	Oscillator Out
21	VSS		MCU	Ground
22	P17/(LED7)	LEDA	O	LED (AUX)
23	P16/(LED6)	LEDTP	O	LED (TAPE)
24	P15/(LED5)	LEDM	O	LED (MD)
25	P14/(LED4)	LEDC	O	LED (CD)
26	P13/(LED3)	LEDT	O	LED (TUNER)
27	P12/(LED2)	LEDP	O	LED (PHONO)
28	P11/(LED1)	LSBY	O	LED (POWER)
29	P10/(LED0)	LEDCDD	O	LED (CD DIRECT)
30	P07/(AN8)	LEDTM/PD	O	LED (TAPE MONITOR/PURE DIRECT)
31	P06/(AN7)	ENL	I	Rotary Encoder (Left)
32	P05/(AN6)	ENR	I	Rotary Encoder (Right)
33	P04/(AN5)	MUTE	O	Mute
34	P03/SRDY2	CDD	I	CD Direct SW
35	P02/SCLK2	PRI	I	Protection (Overload)
36	P01/SOUT2	RYSP	O	Speaker Relay
37	P00/SIN2	RYPS	O	Power Relay
38	P34/AN4	PRDC	I	Protection (DC)
39	P33/AN3	PRPS	I	Protection (Power Supply)
40	P32/AN2	THMR	I	Protection (Temperature Detection)
41	P31/AN1	THML	I	Protection (Temperature Detection)
42	P30/AN0	REC	I	Rec Out Selector Detect

■ PIN CONNECTION DIAGRAM / 半導体外形図

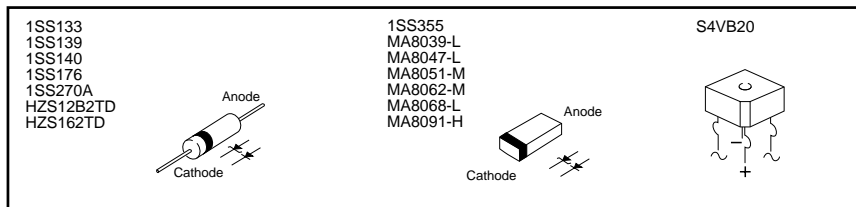
● ICs



● Transistors



● Diodes



PRINTED CIRCUIT BOARD (Foil side)

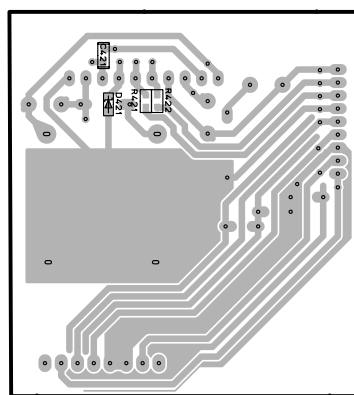
1

FUNCTION (1) P.C.B. (Side A)

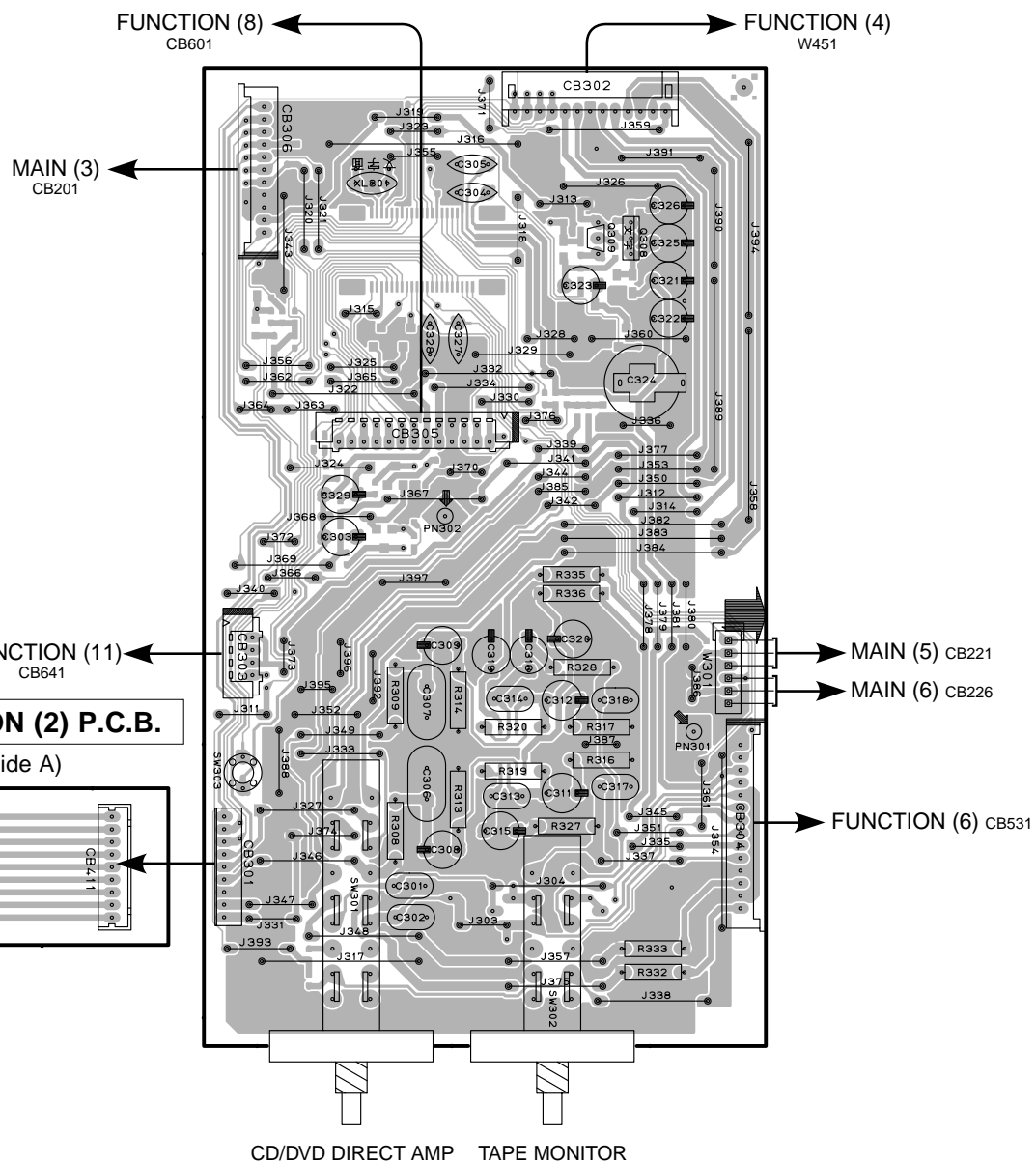
FUNCTION (1) P.C.B. (Side B) Lead Free Solder Used

FUNCTION (3) P.C.B.

(Side B) Lead Free Solder Used



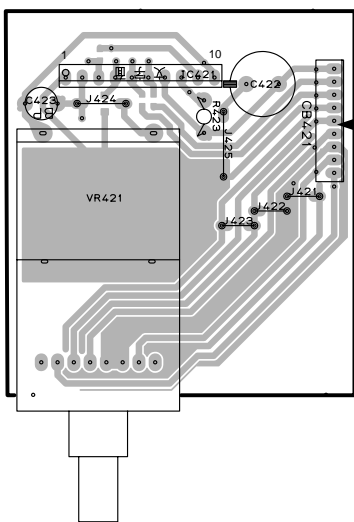
2



3

FUNCTION (3) P.C.B.

(Side A)

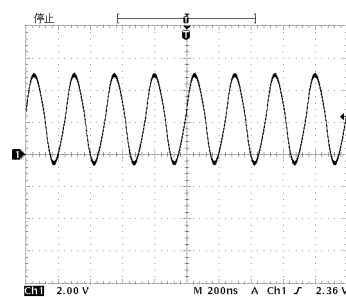


4

VOLUME

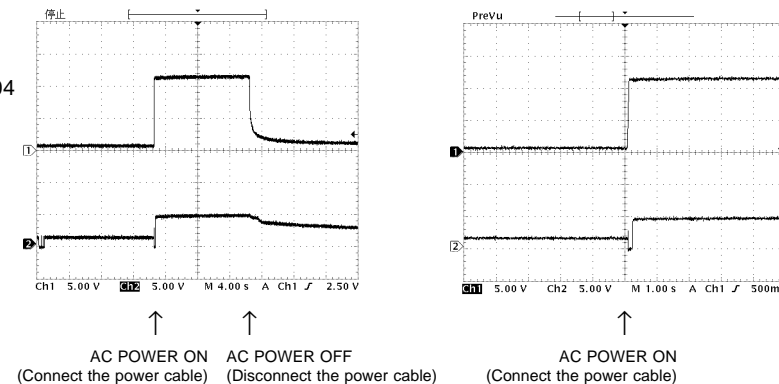
5

Point ① (Pin 20 of IC301)



Point ②

CH 1 : Emitter of Q309
CH 2 : Collector of Q304

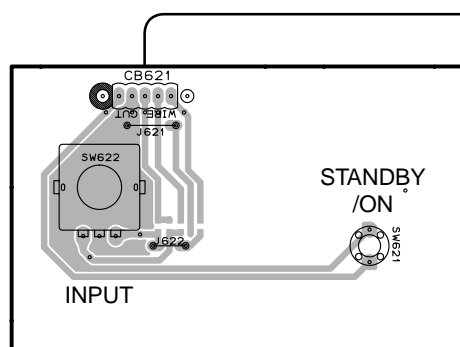


6

■ PRINTED CIRCUIT BOARD (Foil side)

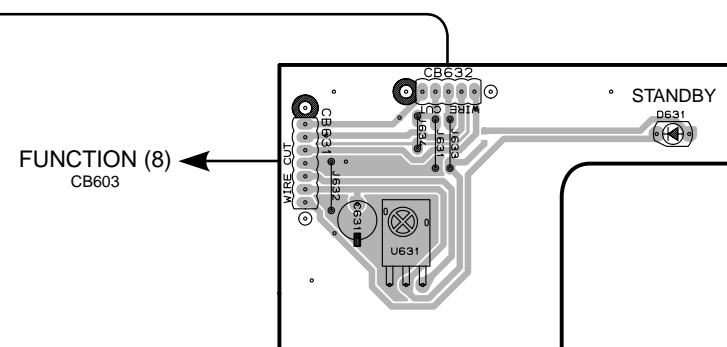
FUNCTION (9) P.C.B.

(Side A)



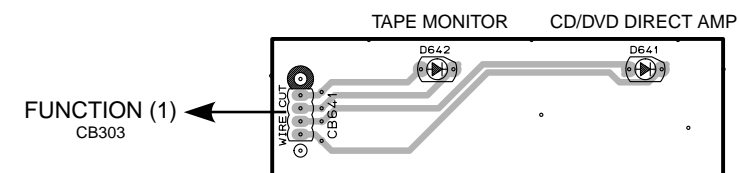
FUNCTION (10) P.C.B.

(Side A)



FUNCTION (11) P.C.B.

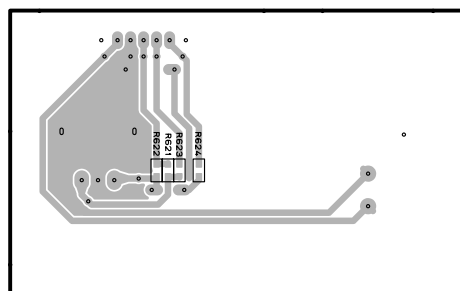
(Side A)



FUNCTION (1)
CB303

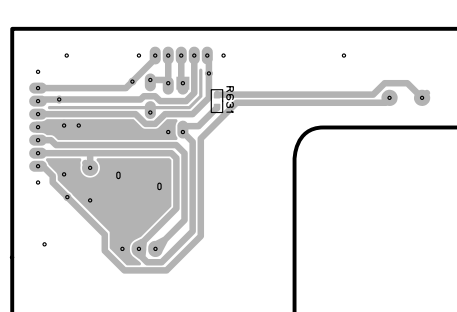
FUNCTION (9) P.C.B.

(Side B) Lead Free Solder Used



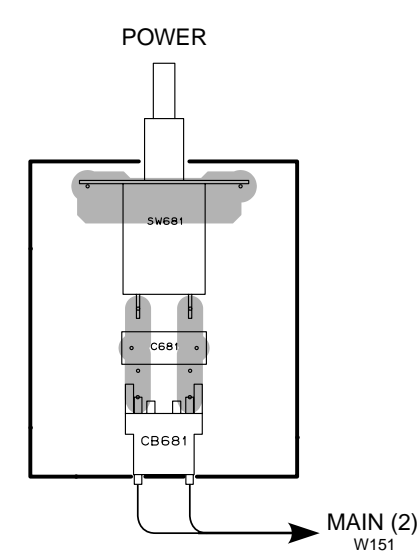
FUNCTION (10) P.C.B.

(Side B) Lead Free Solder Used



FUNCTION (12) P.C.B.

(Side A)

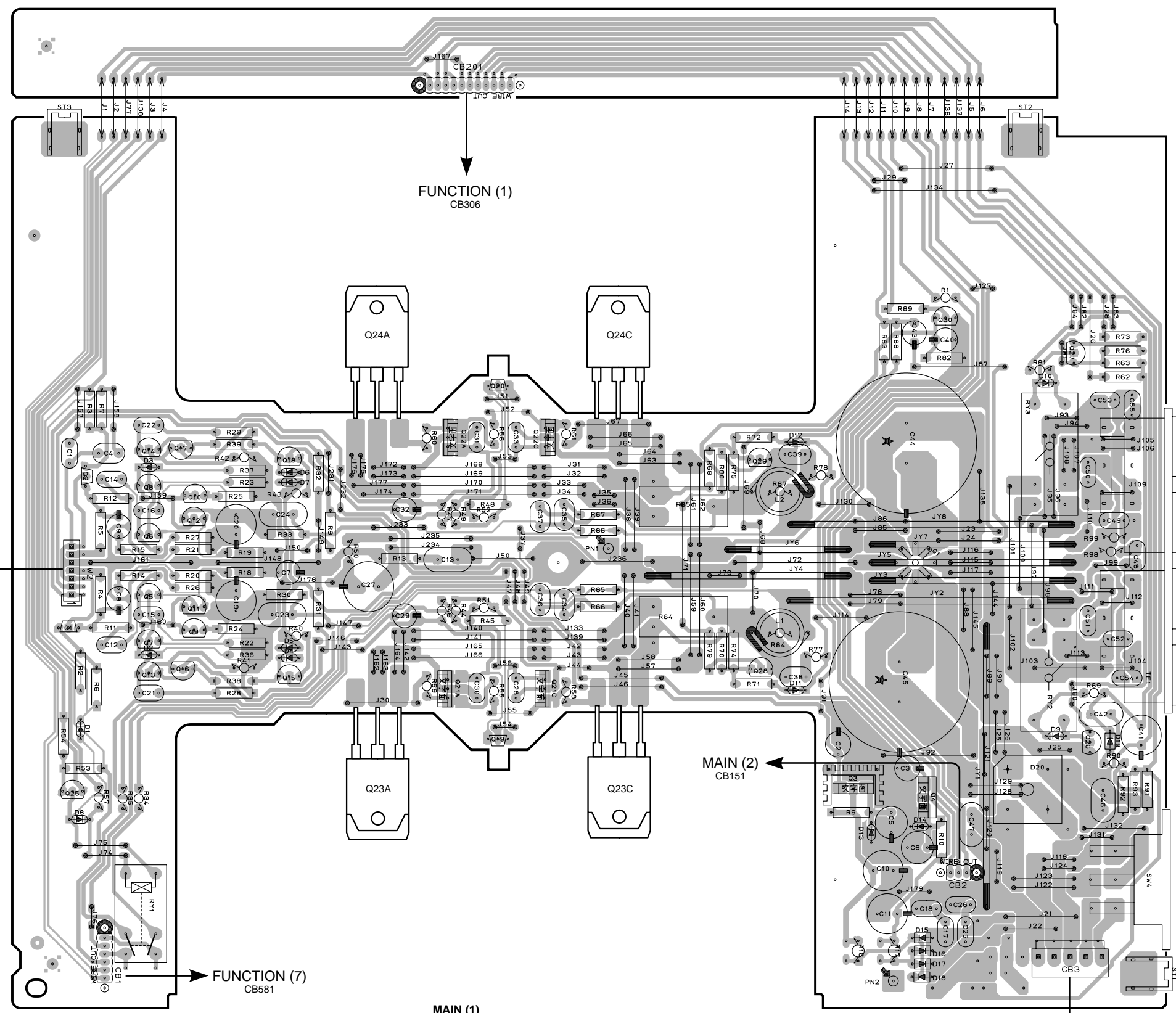


1
2
3
4
5
6

PRINTED CIRCUIT BOARD (Foil side) Lead Free Solder Used

MAIN (3) P.C.B.
(Side A)

MAIN (1) P.C.B.
(Side A)

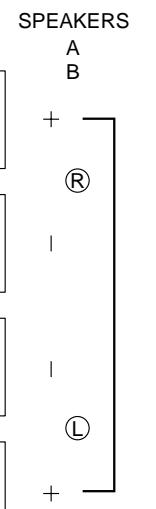


FUNCTION (6)
CB532

FUNCTION (1)
CB306

MAIN (2)
CB151

FUNCTION (7)
CB581



IMPEDANCE
SELECTOR

POWER TRANSFORMER

MAIN (1)

Circuit No.	R, T, A, B, G, E, L	C, J
C48-55	O	X
R98, 99	O	X

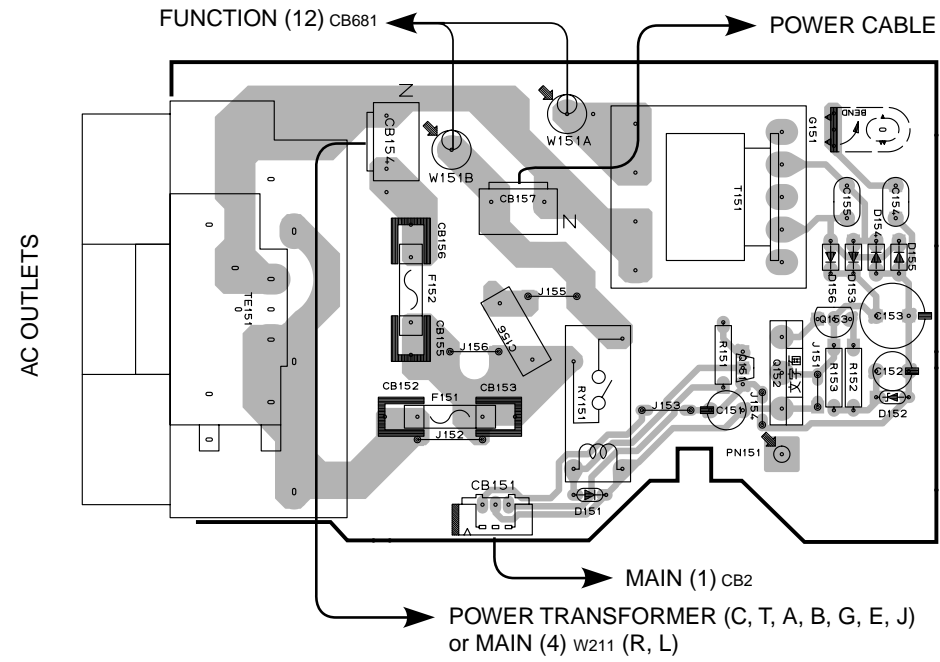
X: NOT USED
O: USED/APPLICABLE

1
2
3
4
5
6

A B C D E F G H

■ PRINTED CIRCUIT BOARD (Foil side) Lead Free Solder Used

MAIN (2) P.C.B.
(Side A)

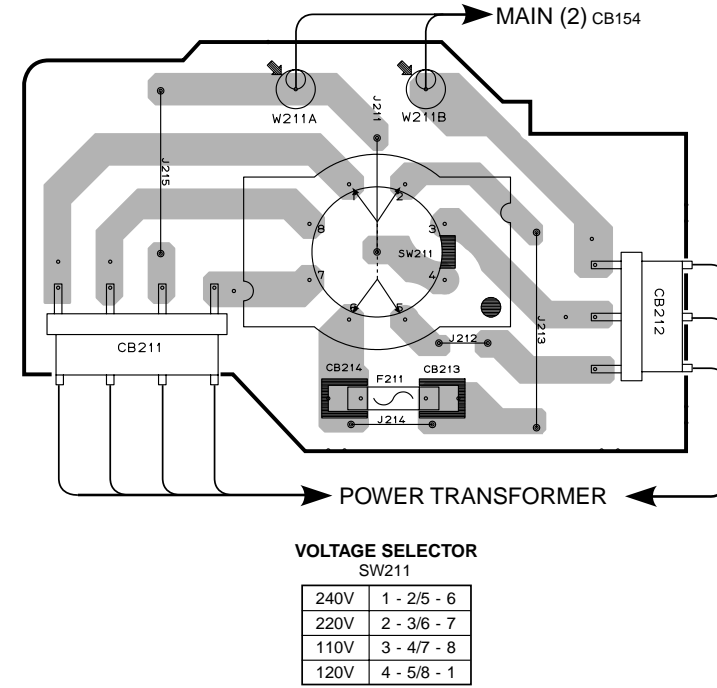


MAIN (2)

Circuit No.	J	C	R	T	A	B	G, E	L
F151	X	O	X	X	X	X	O	X
R152, 153	X	X	O	X	X	X	X	X
C151, 152	X	X	O	X	X	X	X	X
Q152, 153	X	X	O	X	X	X	X	X
D152	X	X	O	X	X	X	X	X
CB152, 153	X	O	X	X	X	X	O	X
J151	O	O	X	O	O	O	O	O
J152	O	X	O	O	O	O	X	O

X: NOT USED
O: USED/APPLICABLE

MAIN (4) P.C.B. (Side A)
R, L models

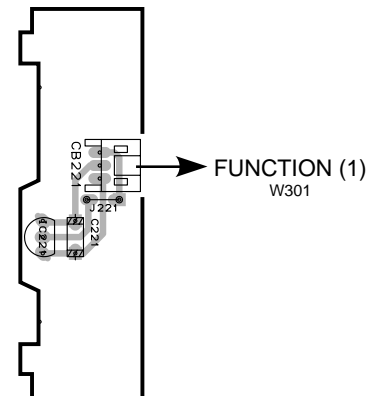


MAIN (4)

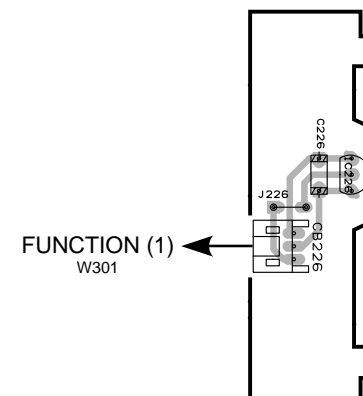
Circuit No.	R	L
F211	O	X
CB213, 214	O	X
J211-213	O	O
J214	X	O

X: NOT USED
O: USED/APPLICABLE

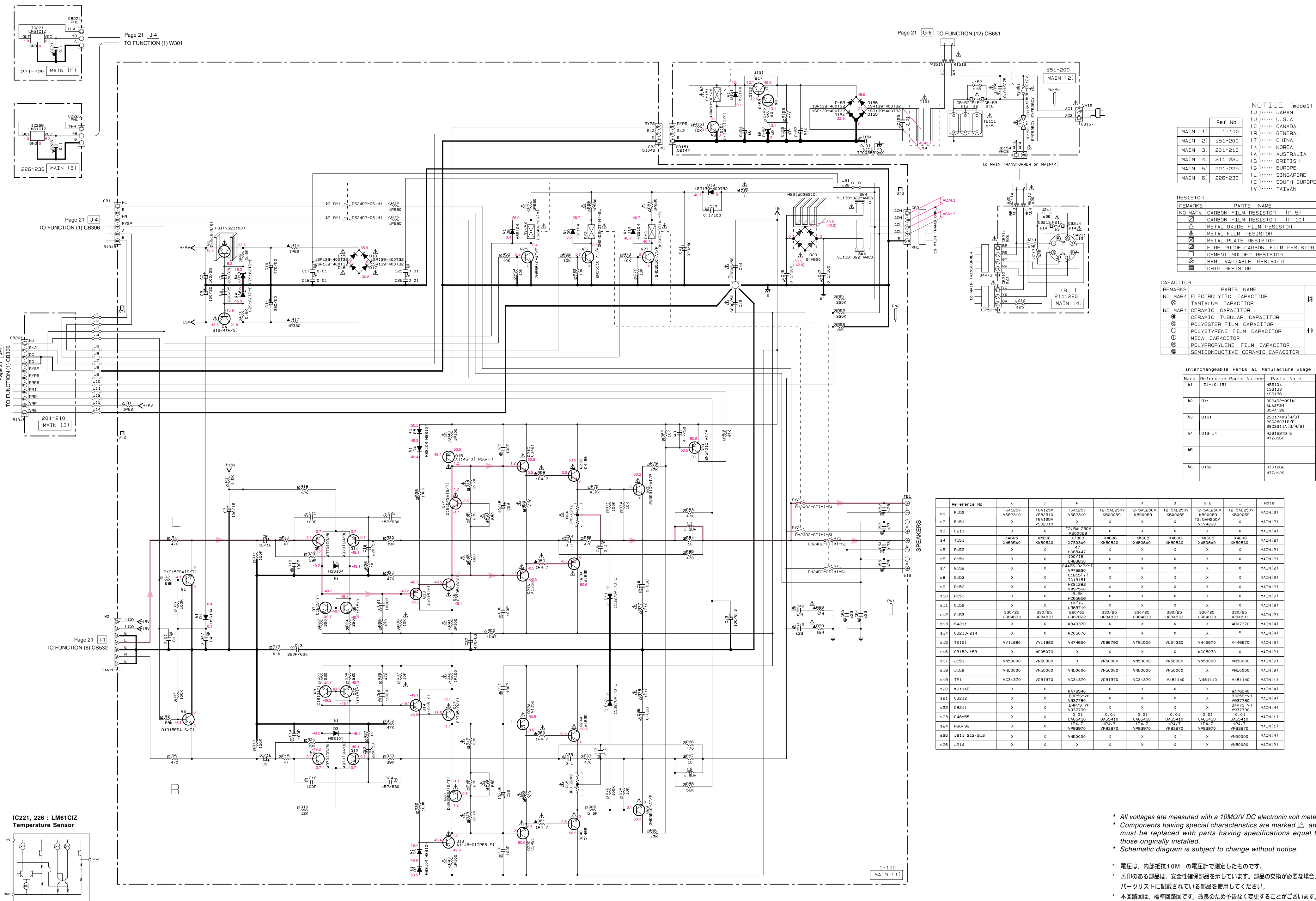
MAIN (5) P.C.B.
(Side A)



MAIN (6) P.C.B.
(Side A)



■ SCHEMATIC DIAGRAM (MAIN)



NOTICE (mode1)

(J).....	JAPAN
(U).....	U.S.A.
(C).....	CANADA
(R).....	GENERAL
(T).....	CHINA
(K).....	KOREA
(A).....	AUSTRALIA
(B).....	BRITISH
(G).....	EUROPE
(L).....	SINGAPORE
(E).....	SOUTH EUROPE
(V).....	TAIWAN

RESISTOR

REMARKS	PARTS NAME
NO MARK	CARBON FILM RESISTOR (P=5)
□	CARBON FILM RESISTOR (P=10)
△	METAL OXIDE FILM RESISTOR
▣	METAL PLATE RESISTOR
▤	FIRE PROOF CARBON FILM RESISTOR
▥	CEMENT MOLDED RESISTOR
▧	SEMI VARIABLE RESISTOR
▨	CHIP RESISTOR

CAPACITOR

REMARKS	PARTS NAME
NO MARK	ELECTROLYTIC CAPACITOR
⊗	TANTALUM CAPACITOR
NO MARK	CERAMIC CAPACITOR
⊙	CERAMIC TUBULAR CAPACITOR
⊚	POLYESTER FILM CAPACITOR
○	POLYSTYRENE FILM CAPACITOR
⊖	MICA CAPACITOR
⊕	POLYPROPYLENE FILM CAPACITOR
⊙	SEMICONDUCTIVE CERAMIC CAPACITOR

Interchangeable Parts at Manufacture-Stage

Mark	Reference Parts Number	Parts Name
41	D1-10-151	HSS104 1S1133 1S1176
42	RY1	DS24D2-08(M) AL4P34 G5PA-28
43	D151	2SC1740S(R/S) 2SC266316(P) 2SC3311A(G/R/S)
44	D13-14	H2S162D-E MTZJ56C
45		
46	D152	H2S1382 MTZJ12C

Reference No	J	C	R	T	A	B	G-E	L	Note	
91	F152	T6A125V VS82310	T6A125V VS82310	T6A125V VS82310	T2-5AL250V KB00069	T2-5AL250V KB00069	T2-5AL250V KB00069	T2-5AL250V KB00069	MAIN(2)	
92	F151	X	X	X	X	X	X	X	MAIN(2)	
93	F211	X	X	T2-5AL250V KB00069	X	X	X	X	MAIN(4)	
94	T151	XW605 XW606	XW605 XW606	X7303 XW608	XW608 XW608	XW608 XW608	XW608 XW608	XW608 XW608	MAIN(2)	
95	R152	X	X	100/15 HC05447	X	X	X	X	MAIN(2)	
96	C151	X	X	100/15 UR83810	X	X	X	X	MAIN(2)	
97	Q152	X	X	C446E(TP/P) VP76830	X	X	X	X	MAIN(2)	
98	Q153	X	X	C1815(Y) 1C18151	X	X	X	X	MAIN(2)	
99	D152	X	X	H2S1282 VM72560	X	X	X	X	MAIN(2)	
100	R153	X	X	5.6K HC63556	X	X	X	X	MAIN(2)	
101	C152	X	X	10/15 UR83710	X	X	X	X	MAIN(2)	
102	C153	330/25 UR84833	330/25 UR84833	220/25 UR87822	330/25 UR84833	330/25 UR84833	330/25 UR84833	330/25 UR84833	MAIN(2)	
103	SK211	X	X	MB49370	X	X	X	X	MAIN(4)	
104	CB213-214	X	X	WC05070	X	X	X	X	MAIN(4)	
105	TE151	VV11880	VV11880	V474650	V586790	VT91500	VU54330	V446670	V446670	MAIN(2)
106	CB152-153	X	X	WC05070	X	X	X	WC05070	X	MAIN(2)
107	J151	VN50000	VN50000	X	VN50000	VN50000	VN50000	VN50000	VN50000	MAIN(2)
108	J152	VN50000	VN50000	VN50000	VN50000	VN50000	VN50000	X	VN50000	MAIN(2)
109	TE1	VC31370	VC31370	VC31370	VC31370	VC31370	V481140	V481140	V481140	MAIN(1)
120	W211AB	X	X	MA76540	X	X	X	MA76540	MAIN(4)	
121	CB212	X	X	B3P55-VH V837780	X	X	X	X	B3P55-VH V837780	MAIN(4)
122	CB211	X	X	B4P75-VH V837780	X	X	X	X	B4P75-VH V837780	MAIN(4)
123	C48-55	X	X	0.01 UA65410	0.01 UA65410	0.01 UA65410	0.01 UA65410	0.01 UA65410	0.01 UA65410	MAIN(1)
124	R98-99	X	X	1P4.7 VP93970	1P4.7 VP93970	1P4.7 VP93970	1P4.7 VP93970	1P4.7 VP93970	1P4.7 VP93970	MAIN(1)
125	J211-212-213	X	X	VN50000	X	X	X	X	VN50000	MAIN(4)
126	J214	X	X	X	X	X	X	X	VN50000	MAIN(2)

* All voltages are measured with a 10MΩ/DC electronic volt meter.
 * Components having special characteristics are marked △ and must be replaced with parts having specifications equal to those originally installed.
 * Schematic diagram is subject to change without notice.

• 電圧は、内部抵抗10MΩの電圧計で測定したものです。
 • △印のある部品は、安全性確保部品を示しています。部品の交換が必要な場合、パーツリストに記載されている部品を使用してください。
 • 本回路図は、標準回路図です。改良のため予告なく変更することがございます。

PARTS LIST

■ ELECTRICAL PARTS

■ WARNING

- Components having special characteristics are marked \triangle and must be replaced with parts having specifications equal to those originally installed.

- \triangle 印のある部分は、安全確保部品を示しています。部品の交換が必要な場合、パーツリストに記載されている部品を使用してください。
- 部品価格ランクは、予告なく変更することがあります。

ABBREVIATIONS IN THIS LIST ARE AS FOLLOWS :

C.A.EL.CHP	: CHIP ALUMI. ELECTROLYTIC CAP	L.EMIT	: LIGHT EMITTING MODULE
C.CE	: CERAMIC CAP	LED.DSPLY	: LED DISPLAY
C.CE.ARRAY	: CERAMIC CAP ARRAY	LED.INFRD	: LED, INFRARED
C.CE.CHP	: CHIP CERAMIC CAP	MODUL.RF	: MODULATOR, RF
C.CE.ML	: MULTILAYER CERAMIC CAP	PHOT.CPL	: PHOTO COUPLER
C.CE.M.CHP	: CHIP MULTILAYER CERAMIC CAP	PHOT.INTR	: PHOTO INTERRUPTER
C.CE.SAFTY	: RECOGNIZED CERAMIC CAP	PHOT.RFLCT	: PHOTO REFLECTOR
C.CE.TUBLR	: CERAMIC TUBULAR CAP	PIN.TEST	: PIN, TEST POINT
C.CE.SMI	: SEMI CONDUCTIVE CERAMIC CAP	PLST.RIVET	: PLASTIC RIVET
C.EL	: ELECTROLYTIC CAP	R.ARRAY	: RESISTOR ARRAY
C.MICA	: MICA CAP	R.CAR	: CARBON RESISTOR
C.ML.FLM	: MULTILAYER FILM CAP	R.CAR.CHP	: CHIP RESISTOR
C.MP	: METALLIZED PAPER CAP	R.CAR.FP	: FLAME PROOF CARBON RESISTOR
C.MYLAR	: MYLAR FILM CAP	R.CEMENT	: CEMENT RESISTOR
C.MYLAR.ML	: MULTILAYER MYLAR FILM CAP	R.FUS	: FUSABLE RESISTOR
C.PAPER	: PAPER CAPACITOR	R.MTL.CHP	: CHIP METAL FILM RESISTOR
C.PLS	: POLYSTYRENE FILM CAP	R.MTL.FLM	: METAL FILM RESISTOR
C.POL	: POLYESTER FILM CAP	R.MTL.OXD	: METAL OXIDE FILM RESISTOR
C.POLY	: POLYETHYLENE FILM CAP	R.MTL.PLAT	: METAL PLATE RESISTOR
C.PP	: POLYPROPYLENE FILM CAP	RSNR.CE	: CERAMIC RESONATOR
C.TNTL	: TANTALUM CAP	RSNR.CRYS	: CRYSTAL RESONATOR
C.TNTL.CHP	: CHIP TANTALUM CAP	R.TW.CEM	: TWIN CEMENT FIXED RESISTOR
C.TRIM	: TRIMMER CAP	SCR.BND.HD	: BIND HEAD B-TITE SCREW
CN	: CONNECTOR	SCR.BW.HD	: BW HEAD TAPPING SCREW
CN.BS.PIN	: CONNECTOR, BASE PIN	SCR.CUP	: CUP TITE SCREW
CN.CANNON	: CONNECTOR, CANNON	SCR.TERM	: SCREW TERMINAL
CN.DIN	: CONNECTOR, DIN	SCR.TR	: SCREW, TRANSISTOR
CN.FLAT	: CONNECTOR, FLAT CABLE	SUPRT.PCB	: SUPPORT, P.C.B.
CN.POST	: CONNECTOR, BASE POST	SURG.PRTCT	: SURGE PROTECTOR
COIL.MX.AM	: COIL, AM MIX	SW.TACT	: TACT SWITCH
COIL.AT.FM	: COIL, FM ANTENNA	SW.LEAF	: LEAF SWITCH
COIL.DT.FM	: COIL, FM DETECT	SW.LEVER	: LEVER SWITCH
COIL.MX.FM	: COIL, FM MIX	SW.MICRO	: MICRO SWITCH
COIL.OUTPT	: OUTPUT COIL	SW.PUSH	: PUSH SWITCH
DIOD.ARRAY	: DIODE ARRAY	SW.RT.ENC	: ROTARY ENCODER
DIODE.BRG	: DIODE BRIDGE	SW.RT.MTR	: ROTARY SWITCH WITH MOTOR
DIODE.CHP	: CHIP DIODE	SW.RT	: ROTARY SWITCH
DIODE.SHOT	: SCHOTTKY BARRIER DIODE	SW.SLIDE	: SLIDE SWITCH
DIODE.VAR	: VARACTOR DIODE	TERM.SP	: SPEAKER TERMINAL
DIOD.Z.CHP	: CHIP ZENER DIODE	TERM.WRAP	: WRAPPING TERMINAL
DIODE.ZENR	: ZENER DIODE	THRMST.CHP	: CHIP THERMISTOR
DSCR.CE	: CERAMIC DISCRIMINATOR	TR.CHP	: CHIP TRANSISTOR
FER.BEAD	: FERRITE BEADS	TR.DGT	: DIGITAL TRANSISTOR
FER.CORE	: FERRITE CORE	TR.DGT.CHP	: CHIP DIGITAL TRANSISTOR
FET.CHP	: CHIP FET	TRANS	: TRANSFORMER
FL.DSPLY	: FLUORESCENT DISPLAY	TRANS.PULS	: PULSE TRANSFORMER
FLTR.CE	: CERAMIC FILTER	TRANS.PWR	: POWER TRANSFORMER ASS'y
FLTR.COMB	: COMB FILTER MODULE	TUNER.AM	: TUNER PACK, AM
FLTR.LC.RF	: LC FILTER, EMI	TUNER.FM	: TUNER PACK, FM
GND.MTL	: GROUND PLATE	TUNER.PK	: FRONT-END TUNER PACK
GND.TERM	: GROUND TERMINAL	VR	: ROTARY POTENTIOMETER
HOLDER.FUS	: FUSE HOLDER	VR.MTR	: POTENTIOMETER WITH MOTOR
IC.PRTCT	: IC PROTECTOR	VR.SW	: POTENTIOMETER WITH ROTARY SW
JUMPER.CN	: JUMPER CONNECTOR	VR.SLIDE	: SLIDE POTENTIOMETER
JUMPER.TST	: JUMPER, TEST POINT	VR.TRIM	: TRIMMER POTENTIOMETER
L.DTCT	: LIGHT DETECTING MODULE		

P.C.B. FUNCTION

Ref. No.	Part No.	Description	Remarks	Markets	部品名	Rank
*	WG030100	P.C.B.	FUNCTION		P C B ファンクション	
CB301	V7827600	SOCKET	9P SE TUC SERIES		コネクタースOCKET	
CB302	VK015400	CN.BS.PIN	13P		コネクタベースポスト	01
CB303	VK024800	CN.BS.PIN	4P		ワイヤートラップ	01
CB304	VK027300	CN.BS.PIN	14P		ワイヤ - トラップ	01
CB305	VK025700	CN.BS.PIN	13P		ワイヤートラップ	01
CB306	VK027000	CN.BS.PIN	11P		ワイヤートラップ	02
CB411-412	V7825900	CN	9P TE TUC SERIES		コネクタプラグ	
CB421	V7827600	SOCKET	9P SE TUC SERIES		コネクタースOCKET	
CB451	VK026700	CN.BS.PIN	8P		ワイヤートラップ	01
CB532	VB858600	CN.BS.PIN	7P		ベースピン	01
CB581	VF728300	CN	6P		コネクタ	01
* CB681	VP245700	CN.BS.PIN	VA 2P SE		ベースツキポスト	01
C301-302	UA653220	C.MYLAR	2200pF 50V J		マイラーコン	01
C303	UR866220	C.EL	2.2uF 50V		ケミコン	01
C304-305	FG644100	C.CE	0.01uF 50V		セラコン	01
C306-307	WE100400	C.PP	47pF 630V		P Pコン	
* C308-309	UU366470	C.EL	4.7uF 50V		ケミコン R A 3	
C310	US034470	C.CE.CHP	0.047uF 16V B		チップセラコン	01
* C311-312	UU318470	C.EL	470uF 6.3V		ケミコン R A 3	
C313-314	UA652330	C.MYLAR	330pF 50V J		マイラーコン	01
* C315-316	UU366470	C.EL	4.7uF 50V		ケミコン R A 3	
C317-318	UA653220	C.MYLAR	2200pF 50V J		マイラーコン	01
C319-320	UU338100	C.EL	100uF 16V		ケミコン R A 3	01
C321	UR818100	C.EL	100uF 6.3V		ケミコン	01
C322	UR817470	C.EL	47uF 6.3V		ケミコン	01
C323	UR866100	C.EL	1uF 50V		ケミコン	01
C324	WD292000	C.EL	0.047F 5.5V		ダイナキャパシタ	05
C325	UR818220	C.EL	220uF 6.3V		ケミコン	01
C326	UR866220	C.EL	2.2uF 50V		ケミコン	01
C327-328	FG644100	C.CE	0.01uF 50V		セラコン	01
C329	UR866220	C.EL	2.2uF 50V		ケミコン	01
C330	US035100	C.CE.CHP	0.1uF 16V B		チップセラコン	01
C421	US065100	C.CE.CHP	0.1uF 50V B		チップセラコン	
C422	UR848470	C.EL	470uF 25V		ケミコン	01
C423	UN866100	C.EL	1uF 50V		B Pケミコン	01
C451-452	VQ645600	C.MYLAR	100pF 50V		マイラーコン	01
C453-454	US062100	C.CE.CHP	100pF 50V B		チップセラコン	01
C455-456	WE100400	C.PP	47pF 630V		P Pコン	
C457-458	US062100	C.CE.CHP	100pF 50V B		チップセラコン	01
C459-460	WE100400	C.PP	47pF 630V		P Pコン	
C461-462	US062100	C.CE.CHP	100pF 50V B		チップセラコン	01
C465-466	UR838100	C.EL	100uF 16V		ケミコン	01
C467-468	UA654100	C.MYLAR	0.01uF 50V J		マイラーコン	01
C469	UA655100	C.MYLAR	0.1uF 50V J		マイラーコン	01
C470-471	UR837470	C.EL	47uF 16V		ケミコン	01
C472	UA654100	C.MYLAR	0.01uF 50V J		マイラーコン	01
C473-474	US064100	C.CE.CHP	0.01uF 50V B		チップセラコン	01
C501-502	WE100500	C.PP	100pF 630V		P Pコン	
C503-504	VQ462600	C.MYLAR	220pF 50V		マイラーコン	01
C505-506	UU337100	C.EL	10uF 16V		ケミコン R A 3	01
* C507-508	UU318220	C.EL	220uF 6.3V		ケミコン R A 3	
C509-510	UA654330	C.MYLAR	0.033uF 50V J		マイラーコン	01

* New Parts (新規部品)

Note) Those parts marked with “#” are not included in the P.C.B. ass'y. (マーク#の部品は、基板に含まれません)

P.C.B. FUNCTION

Ref. No.	Part No.	Description	Remarks	Markets	部品名	Rank
C511-512	UA652100	C. MYLAR	100pF 50V J		マイラーコン	01
C513-514	UA653910	C. MYLAR	9100pF 50V J		マイラーコン	01
C515-516	UU337100	C. EL	10uF 16V		ケミコン R A 3	01
C517-518	UU338100	C. EL	100uF 16V		ケミコン R A 3	01
C519-520	Vi715900	C. MYLAR	2200pF 50V		マイラーコン	01
C521-522	UU338100	C. EL	100uF 16V		ケミコン R A 3	01
* C523-524	UU338330	C. EL	330uF 16V		ケミコン R A 3	
C525	US064100	C. CE. CHP	0.01uF 50V B		チップセラコン	01
C531-532	UA654560	C. MYLAR	0.056uF 50V J		マイラーコン	
C533-534	US062680	C. CE. CHP	680pF 50V B		チップセラコン	01
C535-536	US062220	C. CE. CHP	220pF 50V B		チップセラコン	01
* C537-538	UU365470	C. EL	0.47uF 50V		ケミコン R A 3	
* C539-540	UU366470	C. EL	4.7uF 50V		ケミコン R A 3	
C541-542	US061470	C. CE. CHP	47pF 50V B		チップセラコン	01
C543-544	UU337470	C. EL	47uF 16V		ケミコン R A 3	01
C545-548	VR168400	C. MYLAR	0.12uF 50V		マイラーコン	01
C549-550	UA654330	C. MYLAR	0.033uF 50V J		マイラーコン	01
C551-552	UU338100	C. EL	100uF 16V		ケミコン R A 3	01
C553-554	UU337470	C. EL	47uF 16V		ケミコン R A 3	01
* C555-556	UU318220	C. EL	220uF 6.3V		ケミコン R A 3	
C557-558	US063470	C. CE. CHP	4700pF 50V B		チップセラコン	01
C581-583	UA654100	C. MYLAR	0.01uF 50V J		マイラーコン	01
C631	UM397100	C. EL	10uF 16V		ケミコン	01
C681	V6185300	C. CE. SAFTY	0.01uF 275V		規格認定コン	
D301	VU991400	DIODE. ZENR	MA8039-L 3.8V		ツェナーダイオード	01
* D302-303	VU992100	DIODE. ZENR	MA8047-L 4.6V		ツェナーダイオード	
D305-309	VT332900	DIODE	1SS355		ダイオード	01
D310	VU993400	DIODE. ZENR	MA8062-M 6.2V		ツェナーダイオード	01
D311	VU993700	DIODE. ZENR	MA8068-L 6.6V		ツェナーダイオード	
D312	VU993400	DIODE. ZENR	MA8062-M 6.2V		ツェナーダイオード	01
D421	VU992600	DIODE. ZENR	MA8051-M 5.1V		ツェナーダイオード	01
D451-452	VU995100	DIODE. ZENR	MA8091-H 9.4V		ツェナーダイオード	01
D601-606	VR711500	LED(or)	SLR-325DC		LED	01
D631	VS132300	LED(re)	SLR-325VCT31		LED	01
D641-642	VR711500	LED(or)	SLR-325DC		LED	01
* IC301	X7087A00	IC	M38503G4A-101FP	MASK ROM	CPU / 周辺 IC	
IC302	X3505A00	IC	NJM2068MD-TE2		アンプ IC SOP	02
IC421	XF494A00	IC	LB1641		IC	03
IC452	X5045A00	IC	NJU7312AM		アナログ IC	
IC453	iG055100	IC	TC4053BP		IC	02
IC501-502	X3505A00	IC	NJM2068MD-TE2		アンプ IC SOP	02
IC531-532	X3505A00	IC	NJM2068MD-TE2		アンプ IC SOP	02
JK581	V4478300	JACK. PHONE	JY-6317Y-03-030		ホーンジャック	01
* PJ451-453	WD195200	JACK. PIN	4P		ピンジャック 4P	
PJ501-502	VY862900	JACK. PIN	2P		ピンジャック	03
PN301-302	V9637500	PIN	L=70 #18		スタイルピン	
PN501	V9637500	PIN	L=70 #18		スタイルピン	
PN531-532	V9637500	PIN	L=70 #18		スタイルピン	
Q301-302	VV655400	TR. DGT	DTC114EKA		デジタルトランジスタ	01
Q303	VV556500	TR	2SA1037K Q,R,S		トランジスタ	01
Q304	VV655700	TR. DGT	DTC144EKA		デジタルトランジスタ	01
Q305	VV556500	TR	2SA1037K Q,R,S		トランジスタ	01
Q308	VP872700	TR	2SC4488 S,T		トランジスタ	01

* New Parts (新規部品)

Note) Those parts marked with "#" are not included in the P.C.B. ass'y. (マーク#の部品は、基板に含まれません)

P.C.B. FUNCTION & MAIN

Ref. No.	Part No.	Description	Remarks	Markets	部品名	Rank	
* Q309	VV912400	TR	2SA933AS R.S			トランジスタ	01
Q451-452	VK432900	TR	2SD1915F S,T			トランジスタ	01
Q453	iC181510	TR	2SC1815 Y			トランジスタ	01
R423	HV754100	R. CAR. FP	10 1/4W			不燃化カーボン抵抗	01
R475-476	HV754470	R. CAR. FP	47 1/4W			不燃化カーボン抵抗	01
R482-483	HV756120	R. CAR. FP	1.2K 1/4W			不燃化カーボン抵抗	01
R529-530	VP940800	R. MTL. OXD	470 1W			酸化金属被膜抵抗	01
R531-532	VP940400	R. MTL. OXD	100 1W			酸化金属被膜抵抗	01
ST581	V4040500	SCR. TERM	M3			スクリーノターミナル	01
SW301	VV399800	SW. PUSH	SPUN12			プッシュSW	05
* SW302	V3573100	SW. PUSH	SPUN120200			プッシュSW	
SW303	WD483100	SW. TACT	SKRGAAD010			タクト SW	01
SW581	VV523900	SW. PUSH	PBS-YM-001			プッシュSW	03
SW621	WD483100	SW. TACT	SKRGAAD010			タクト SW	01
SW622	V9266400	SW. RT. ENC	XREB12105PVB25F			ロータリーエンコーダ	02
SW681	V4466400	SW. PUSH	SDKLA1-AP1 TV-5			プッシュSW	03
U631	V8210200	L. DTCT	GP1UD271XK			リモコン受光ユニット	03
VR421	VR710500	VR. MTR	A100K			モーターツキVR	08
* VR531	WF774500	VR	A100K			二連ロータリーVR	
VR532	VP742000	VR	MN100K			二連ロータリーVR	02
VR533	VP741800	VR	B20K			二連ロータリーVR	02
VR534	VP741900	VR	G25K			二連ロータリーVR	02
* XL301	WG084100	RSNR. CE	4.0MHz			セラミック振動子	
* *	WG029000	P. C. B.	MAIN		J	P C B メイン	
* *	WG029100	P. C. B.	MAIN		C	P C B メイン	
* *	WG029200	P. C. B.	MAIN		R	P C B メイン	
* *	WG029300	P. C. B.	MAIN		T	P C B メイン	
* *	WG029400	P. C. B.	MAIN		A	P C B メイン	
* *	WG029500	P. C. B.	MAIN		B	P C B メイン	
* *	WG029600	P. C. B.	MAIN		GE	P C B メイン	
* *	WG029700	P. C. B.	MAIN		L	P C B メイン	
	CB3	LB932050	CN. BS. PIN	5P		ベースポスト	01
	CB151	VK024700	CN. BS. PIN	3P		ワイヤートラップ	01
	CB152-153	WC050700	CLIP. FUSE	EYF-52BCY		ヒューズクリップ	01
△	CB154	VG879900	CN. BS. PIN	2P		ベースピン	01
	CB155-156	WC050700	CLIP. FUSE	EYF-52BCY		ヒューズクリップ	01
△	CB157	VG879900	CN. BS. PIN	2P		ベースピン	01
△*	CB211	V9377900	CN. BS. PIN	4P SE VH SERIES		ベース付ポスト	
△*	CB212	V9377800	CN. BS. PIN	3P SE VH SERIES		ベース付ポスト	
	CB213-214	WC050700	CLIP. FUSE	EYF-52BCY		ヒューズクリップ	01
	CB221	VB858200	CN. BS. PIN	3P		ベースピン	01
	CB226	VB858200	CN. BS. PIN	3P		ベースピン	01
	C1	UA654100	C. MYLAR	0.01uF 50V J		マイラーコン	01
	C2-3	UR848100	C. EL	100uF 25V		ケミコン	01
	C4	UA654470	C. MYLAR	0.047uF 50V J		マイラーコン	01
	C5-6	UR848220	C. EL	220uF 25V		ケミコン	01
	C7	UU338100	C. EL	100uF 16V		ケミコン R A 3	01
	C8-9	UU337100	C. EL	10uF 16V		ケミコン R A 3	01
	C10	UR868470	C. EL	470uF 50V		ケミコン	01
	C11	UR868330	C. EL	330uF 50V		ケミコン	01

* New Parts (新規部品)

Note) Those parts marked with "#" are not included in the P.C.B. ass'y. (マーク#の部品は、基板に含まれません)

P.C.B. MAIN

Ref. No.	Part No.	Description	Remarks	Markets	部品名	Rank
C12	UA652100	C.MYLAR	100pF 50V J		マイラーコン	01
C13	WE100900	C.PP	220pF 630V		PPコン	
C14-16	UA652100	C.MYLAR	100pF 50V J		マイラーコン	01
C17-18	UA654100	C.MYLAR	0.01uF 50V J		マイラーコン	01
C19-20	UU368220	C.EL	220uF 50V		ケミコン RA3	01
C21-22	UA653100	C.MYLAR	1000pF 50V J		マイラーコン	03
C23-24	WE100100	C.PP	15pF 630V		PPコン	
C25-26	UA654100	C.MYLAR	0.01uF 50V J		マイラーコン	01
* C27	UU378470	C.EL	470uF 63V		ケミコン RA3	
C28	UA652100	C.MYLAR	100pF 50V J		マイラーコン	01
C29	UU337100	C.EL	10uF 16V		ケミコン RA3	01
C30-31	UA652100	C.MYLAR	100pF 50V J		マイラーコン	01
C32	UU337100	C.EL	10uF 16V		ケミコン RA3	01
C33	UA652100	C.MYLAR	100pF 50V J		マイラーコン	01
C34-37	Vi550600	C.MYLAR	0.1uF 50V		マイラーコン	01
C38-39	UA654680	C.MYLAR	0.068uF 50V J		マイラーコン	02
C40	UR866470	C.EL	4.7uF 50V		ケミコン	01
C41	UR868330	C.EL	330uF 50V		ケミコン	01
C42	VR324900	C.MYLAR	0.1uF 100V		マイラーコン	01
C43	UR818100	C.EL	100uF 6.3V		ケミコン	01
△* C44-45	WG416200	C.EL	6800uF 56V		ケミコン	
C46-47	VR324900	C.MYLAR	0.1uF 100V		マイラーコン	01
C48-55	UA654100	C.MYLAR	0.01uF 50V J	RTABGEL	マイラーコン	01
C151	UR838100	C.EL	100uF 16V	R	ケミコン	01
C152	UR837100	C.EL	10uF 16V	R	ケミコン	01
C153	UR848330	C.EL	330uF 25V	JCTABGEL	ケミコン	01
* C153	UR878220	C.EL	220uF 63V	R	ケミコン	
C154-155	UA654100	C.MYLAR	0.01uF 50V J		マイラーコン	01
△ C156	V6185300	C.CE.SAFETY	0.01uF 275V		規格認定コン	
C221	VJ599100	C.CE.TUBLR	0.1uF 50V		円筒セラコン	01
C226	VJ599100	C.CE.TUBLR	0.1uF 50V		円筒セラコン	01
D1-10	VD631600	DIODE	1SS133,176		ダイオード	01
D11-12	VN008700	DIODE	1SS270A		ダイオード	01
D13-14	VM975900	DIODE.ZENR	HZS162TD 16V		ツェナーダイオード	01
△ D15-19	VU264100	DIODE	1SR139,400		ダイオード	01
△ D20	iH001090	DIODE.BRG	S4VB20 2.6A 200V		ダイオード	05
D151	VD631600	DIODE	1SS133,176		ダイオード	01
D152	VM975600	DIODE.ZENR	HZS12B2TD 12V	R	ツェナーダイオード	01
D153-156	VU264100	DIODE	1SR139,400		ダイオード	01
△* F151	WG410500	FUSE	6A 125V	C	ヒューズ	
△ F151	VT942900	FUSE	T2.5A 250V	GE	ヒューズ	01
△* F152	WG410500	FUSE	6A 125V	JCR	ヒューズ	
△ F152	KB000690	FUSE	T2.5A 250V	TABGEL	ヒューズ	01
△ F211	KB000690	FUSE	T2.5A 250V	R	ヒューズ	01
G1	V5995800	PLATE.GND			アースプレート	
IC221	X0515A00	IC	LM61CIZ THERMAL		電源IC	03
IC226	X0515A00	IC	LM61CIZ THERMAL		電源IC	03
PN1-2	V9637500	PIN	L=70 #18		スタイルピン	
PN151	V9637500	PIN	L=70 #18		スタイルピン	
Q1-2	VK432900	TR	2SD1915F S,T		トランジスタ	01
△ Q3	VC407900	TR	2SD1913 R,S		トランジスタ	01
△ Q4	VC614000	TR	2SB1274 Q,R,S		トランジスタ	02
Q5-6	iA097030	TR	2SA970 GR,BL		トランジスタ	01

* New Parts (新規部品)

Note) Those parts marked with "#" are not included in the P.C.B. ass'y. (マーク#の部品は、基板に含まれません)

P.C.B. MAIN

Ref. No.	Part No.	Description	Remarks	Markets	部品名	Rank	
	Q7-10	iC181510	TR			トランジスタ	01
	Q11-12	iA097030	TR			トランジスタ	01
	Q13-14	iA101510	TR			トランジスタ	01
△	Q15	VE198700	TR			トランジスタ	01
△	Q16-17	VE198800	TR			トランジスタ	01
△	Q18	VE198700	TR			トランジスタ	01
△	Q19-20	VK432900	TR			トランジスタ	01
△*	Q21A-22A	WG408800	TR			トランジスタ	
△*	Q21C-22C	WG408900	TR			トランジスタ	
△#	Q23A	iX630850	TR			トランジスタ	05
△#	Q23C	iX630860	TR			トランジスタ	05
△#	Q24A	iX630850	TR			トランジスタ	05
△#	Q24C	iX630860	TR			トランジスタ	05
△	Q25-29	WC398400	TR			トランジスタ	
	Q30	WC397700	TR			トランジスタ	
	Q151	iC174020	TR			トランジスタ	01
	Q152	VP768300	TR		R	トランジスタ	04
	Q153	iC181510	TR		R	トランジスタ	01
	R1	VS267200	R.MTL.OXD	82	1W	酸化金属被膜抵抗	01
*	R16	WA621400	R.MTL.OXD	82	1W J	酸化金属被膜抵抗	
*	R17	V8071200	R.MTL.OXD	330	1W J	酸化金属被膜抵抗	
	R34-35	VP941000	R.MTL.OXD	680	1W	酸化金属被膜抵抗	01
△	R40-43	VP940400	R.MTL.OXD	100	1W	酸化金属被膜抵抗	01
△	R44	HV756270	R.CAR.FP	2.7K	1/4W	不燃化カーボン抵抗	01
△	R46-47	HV755820	R.CAR.FP	820	1/4W	不燃化カーボン抵抗	01
△	R49	HV756270	R.CAR.FP	2.7K	1/4W	不燃化カーボン抵抗	01
	R50	VP940200	R.MTL.OXD	47	1W	酸化金属被膜抵抗	01
△	R51-52	HV755680	R.CAR.FP	680	1/4W	不燃化カーボン抵抗	01
△	R55-56	HV755220	R.CAR.FP	220	1/4W	不燃化カーボン抵抗	01
△	R57	VP941000	R.MTL.OXD	680	1W	酸化金属被膜抵抗	01
△	R58-61	VP939700	R.MTL.OXD	4.7	1W	酸化金属被膜抵抗	01
△	R64-65	V3873200	R.CEMENT	0.22	3W	セメント抵抗	02
△	R69	VP941000	R.MTL.OXD	680	1W	酸化金属被膜抵抗	01
△	R77-78	VP939800	R.MTL.OXD	10	1W	酸化金属被膜抵抗	01
△	R81	VP941000	R.MTL.OXD	680	1W	酸化金属被膜抵抗	01
	R84	HV754100	R.CAR.FP	10	1/4W	不燃化カーボン抵抗	01
	R87	HV754100	R.CAR.FP	10	1/4W	不燃化カーボン抵抗	01
△	R90	HV753100	R.CAR.FP	1	1/4W	不燃化カーボン抵抗	01
△	R98-99	VP939700	R.MTL.OXD	4.7	1W	酸化金属被膜抵抗	01
△	RY1	V5966300	RELAY	DS24D2-OS(M)		リレー 2 4 V	05
△	RY2-3	V6322600	RELAY	DC DH24D2-OT(M)-SL		リレー 2 4 V	04
△	RY151	WE513800	RELAY	DC HRM3H-DC12V		リレー 1 2 V	03
	ST1-3	V4040500	SCR.TERM	M3		スクリュー/ターミナル	01
△	SW4	V4104200	SW.SLIDE	SL13B-022-AMCS		スライドSW	03
△*	SW211	WB493700	VOLT.SELCT	R8140246	R	電圧切替器	
△*	SW211	WD073700	VOLT.SELCT	R8140254	L	電圧切替器	
△	T151	XW605A00	TRANS.PWR		J	電源トランス	04
△*	T151	XW606A00	TRANS.PWR		C	電源トランス	
△*	T151	X7303A00	TRANS.PWR		R	電源トランス	
△*	T151	XW608A00	TRANS.PWR		TABGEL	電源トランス	
	TE1	VC313700	TERM.SP	8P	JCRTA	スピーカー端子	06
	TE1	V4811400	TERM.SP	8P	BGEL	スピーカーターミナル	06
△	TE151	WG436400	OUTLET.AC	3P	J	A C アウトレット	

* New Parts (新規部品)

P.C.B. MAIN & CHIP RESISTORS

Ref. No.	Part No.	Description	Remarks	Markets	部品名	Rank	
△	TE151	VV118800	OUTLET.AC 3P		C	A C アウトレット	05
△	TE151	V4746500	OUTLET.AC 3P		R	A C アウトレット	04
△*	TE151	V5867900	OUTLET.AC 3P AC-183-GB-11V		T	A C アウトレット 3 P	
△	TE151	VT915000	OUTLET.AC 1P		A	A C アウトレット	06
△	TE151	VU543300	OUTLET.AC 1P		B	A C アウトレット	05
△*	TE151	V4466700	OUTLET.AC S2-763T-206		GEL	A C アウトレット 3 連	
		WE774300	SCR.BND.HD 3x8 MFZN2W3			バインド B タイトネジ	01
		WE998100	SCR.BND.HD 3x12 MFZN2B3			バインド B タイトネジ	01
		R.CHP	0 1/16W J	0816		チップ抵抗	01
		R.CHP	2.2 1/16W J	0816		チップ抵抗	01
		R.CHP	100 1/16W J	0816		チップ抵抗	01
		R.CHP	180 1/16W J	0816		チップ抵抗	01
		R.CHP	390 1/16W J	0816		チップ抵抗	01
		R.CHP	470 1/16W J	0816		チップ抵抗	01
		R.CHP	1K 1/16W J	0816		チップ抵抗	01
		R.CHP	1.5K 1/16W J	0816		チップ抵抗	01
		R.CHP	1.8K 1/16W J	0816		チップ抵抗	01
		R.CHP	2.2K 1/16W J	0816		チップ抵抗	01
		R.CHP	2.7K 1/16W J	0816		チップ抵抗	01
		R.CHP	3.3K 1/16W J	0816		チップ抵抗	01
		R.CHP	4.7K 1/16W J	0816		チップ抵抗	01
		R.CHP	5.6K 1/16W J	0816		チップ抵抗	01
		R.CHP	8.2K 1/16W J	0816		チップ抵抗	01
		R.CHP	10K 1/16W J	0816		チップ抵抗	01
		R.CHP	22K 1/16W J	0816		チップ抵抗	01
		R.CHP	27K 1/16W J	0816		チップ抵抗	01
		R.CHP	33K 1/16W J	0816		チップ抵抗	01
		R.CHP	47K 1/16W J	0816		チップ抵抗	01
		R.CHP	100K 1/16W J	0816		チップ抵抗	01
		R.CHP	1M 1/16W J	0816		チップ抵抗	01
<p>■ NOTE</p> <ul style="list-style-type: none"> ● The chip resistor is not supplied as a replacement part. ● When a chip resistor is necessary, use the following part. AAX60720: CHIP RESISTOR SAMPLE BOOK ● チップ抵抗はサービス部品として供給しません。 ● チップ抵抗が必要な場合は、下記の部品をご利用ください。 AAX60720: CHIP RESISTOR SAMPLE BOOK 							

* New Parts (新規部品)

Note) Those parts marked with “#” are not included in the P.C.B. ass'y. (マーク#の部品は、基板に含まれません)

MECHANICAL PARTS

Ref. No.	Part No.	Description	Remarks	Markets	部品名	Rank
* 1-1	WF479400	FRONT PANEL		GD	フロントパネル	
* 1-1	WF479300	FRONT PANEL		BL	フロントパネル	
* 1-1	WF479500	FRONT PANEL		TI	フロントパネル	
* 1-2	WF629000	ESCUTCHEON		GD	エスカッション	
* 1-2	WF628900	ESCUTCHEON		BL	エスカッション	
* 1-2	WF629100	ESCUTCHEON		TI	エスカッション	
* 1-3	WF628700	ESCUTCHEON A		GD	エスカッション A	
* 1-3	WF628600	ESCUTCHEON A		BL	エスカッション A	
* 1-3	WF628800	ESCUTCHEON A		TI	エスカッション A	
* 1-4	WF487500	LENS, LED		GD, TI	レンズ	
* 1-4	WG261400	LENS, LED		BL	レンズ	
1-5	V4598900	LENS, 1P			レンズ / 1P	
1-6	V6034200	EMBLEM		GD	エンブレム	03
1-6	V6034100	EMBLEM		BL, TI	エンブレム	03
△# 2-1-1A	iX630850	TRANSISTOR	2SA1695 0, P, Y	Q23A, Q24A	トランジスタ	05
△# 2-1-1C	iX630860	TRANSISTOR	2SC4468 0, P, Y	Q23C, Q24C	トランジスタ	05
2-1-5	VV849300	RADIATION SHEET	19x24		シート / 放熱	01
2-1-6	VP922500	DAMPER	2x10x170		ダンパー	01
2-1-7	VK173200	SCREW, TRANSISTOR	3x15 SP MFC2		スクリーナ	01
2-40	VB770200	PW HEAD P-TIGHT SCREW	3x10-8 MFC2		PWヘッドPタイトネジ	01
2-41	WE774000	BIND HEAD SCREW	3x6 MFZN2W3		バインド小ネジ	
2-42	VT669300	PW HEAD B-TIGHT SCREW	3x8-8 MFC2		PWヘッドBタイトネジ	01
* 3-1-1	WF484500	SUBPANEL CASE A		GD	サブパネルケース A	
* 3-1-1	WF484400	SUBPANEL CASE A		BL	サブパネルケース A	
* 3-1-1	WF484600	SUBPANEL CASE A		TI	サブパネルケース A	
* 3-1-2	WF488900	PLATE SP		GD	プレート SP	
* 3-1-2	WF488800	PLATE SP		BL	プレート SP	
* 3-1-2	WF489000	PLATE SP		TI	プレート SP	
3-1-3	VY940400	CUSHION, LID	T=0.8		クッション / LID	01
3-1-4	VS699700	DAMPER	SIDE		ダンパー	01
3-1-5	V4593300	SPRING, LID			スプリング / リッド	
* 3-1-6	WG399400	DAMPER, GEAR			ダンパー / ギヤ	
3-1-10	VH365800	PW HEAD B-TIGHT SCREW	3x6-8 MFC2		PWヘッドBタイトネジ	01
* 3-2-1	WF480300	PANEL LID		GD	パネルリッド	
* 3-2-1	WF480200	PANEL LID		BL	パネルリッド	
* 3-2-1	WF480400	PANEL LID		TI	パネルリッド	
3-2-2	V6005100	HINGE, L		GD	ヒンジ L	01
3-2-2	V6005000	HINGE, L		BL	ヒンジ L	
* 3-2-2	V6005200	HINGE, L		TI	ヒンジ L	
3-2-3	V6005400	HINGE, R		GD	ヒンジ R	01
3-2-3	V6005300	HINGE, R		BL	ヒンジ R	
* 3-2-3	V6005500	HINGE, R		TI	ヒンジ R	
3-2-5	WC308000	SPACER/HINGE			スペーサ / ヒンジ	01
3-2-10	WE973700	BIND HEAD P-TIGHT SCREW	2.6x6 MFZN2W3		バインドPタイトネジ	01
* 3-11	WF486600	ESCUTCHEON VOL		GD	エスカッションVOL	
* 3-11	WF486500	ESCUTCHEON VOL		BL	エスカッションVOL	
* 3-11	WF486700	ESCUTCHEON VOL		TI	エスカッションVOL	
* 3-12	WF485400	BUTTON STANDBY		GD	ボタン スタンバイ	
* 3-12	WF485300	BUTTON STANDBY		BL	ボタン スタンバイ	
* 3-12	WF485500	BUTTON STANDBY		TI	ボタン スタンバイ	
3-13	V6876200	BUTTON/D5		GD	ボタン / D5	
* 3-13	V6876100	BUTTON/D5		BL	ボタン / D5	
* 3-13	V8540300	BUTTON/D5		TI	ボタン / D5	

* New Parts (新規部品)

Note) Those parts marked with “#” are not included in the P.C.B. ass'y. (マーク#の部品は、基板に含まれません)

Ref. No.	Part No.	Description	Remarks	Markets	部品名	Rank
3-16	V9126500	SHAFT			シャフト	01
3-40	WE774300	BIND HEAD B-TIGHT SCREW	3x8 MFZN2W3		バインドBタイトネジ	01
3-41	WE774400	BIND HEAD SCREW	3x8 MFZN2W3		バインド小ネジ	01
3-42	WE774800	BIND HEAD P-TIGHT SCREW	3x8 MFZN2W3		バインドPタイトネジ	01
3-44	WE774600	SCREW IC	3x18 MFZN2W3		スクリュー IC	01
* 5	WG029000	P.C.B. ASS'Y	MAIN	J	P C B メイン	
* 5	WG029100	P.C.B. ASS'Y	MAIN	C	P C B メイン	
* 5	WG029200	P.C.B. ASS'Y	MAIN	R	P C B メイン	
* 5	WG029300	P.C.B. ASS'Y	MAIN	T	P C B メイン	
* 5	WG029400	P.C.B. ASS'Y	MAIN	A	P C B メイン	
* 5	WG029500	P.C.B. ASS'Y	MAIN	B	P C B メイン	
* 5	WG029600	P.C.B. ASS'Y	MAIN	GE	P C B メイン	
* 5	WG029700	P.C.B. ASS'Y	MAIN	L	P C B メイン	
* 6	WG030100	P.C.B. ASS'Y	FUNCTION		P C B ファンクション	
△* 8	X7049A00	POWER TRANSFORMER		J	電源トランス	
△* 8	X7050B00	POWER TRANSFORMER		C	電源トランス	
△* 8	X7051A00	POWER TRANSFORMER		L	電源トランス	
△* 8	X7052A00	POWER TRANSFORMER		T	電源トランス	
△* 8	X7053A00	POWER TRANSFORMER		A	電源トランス	
△* 8	X7054A00	POWER TRANSFORMER		BGE	電源トランス	
10	V2438700	CORD STOPPER	10P1		コードストッパー	02
△* 12	WF884600	POWER CABLE	2m	J	電源コード	
△* 12	V2727500	POWER CABLE	2m	C	電源コード	
△* 12	WC992700	POWER CABLE	2m	R	電源コード	
△* 12	WB120600	POWER CABLE	2m	T	電源コード	
△* 12	WC743700	POWER CABLE	2m	A	電源コード	
△* 12	WF723100	POWER CABLE	2m	B	電源コード	
△* 12	VN363600	POWER CABLE	2m	GEL	電源コード	
18	VU590000	BINDING TIE	CBTD001B		インシュロックタイ	01
* 101	WF480800	TOP COVER		BL	トップカバー	
* 101	WF480900	TOP COVER		GD	トップカバー	
* 101	WF481000	TOP COVER		TI	トップカバー	
* 106	WF650700	REAR PANEL		J	リヤパネル	
* 106	WF489400	REAR PANEL		C	リヤパネル	
* 106	WF489500	REAR PANEL		R	リヤパネル	
* 106	WF489600	REAR PANEL		T	リヤパネル	
* 106	WF489800	REAR PANEL		A	リヤパネル	
* 106	WF490000	REAR PANEL		B	リヤパネル	
* 106	WF490100	REAR PANEL		GE	リヤパネル	
* 106	WF489900	REAR PANEL		L	リヤパネル	
108	V0042500	LEG	D60xH21	GD	レッグ	03
108	VS025000	LEG	D60xH21	BL, TI	レッグ	02
* 110	WF817500	KNOB D48		GD	ノブ D 4 8	
* 110	WF817400	KNOB D48		BL	ノブ D 4 8	
* 110	WF817600	KNOB D48		TI	ノブ D 4 8	
112	WC560600	KNOB D23		GD	ノブ D 2 3	01
* 112	WC560500	KNOB D23		BL	ノブ D 2 3	
* 112	WC560700	KNOB D23		TI	ノブ D 2 3	
* 114	WF838500	KNOB D12 PL		GD	ノブ D 1 2 P L	
114	VS757400	KNOB D12 PL		BL	ノブ D 1 2 P L	01
* 114	WG277100	KNOB D12 PL		TI	ノブ D 1 2 P L	
116	V4728900	KNOB D12		GD	ノブ D 1 2	03
* 116	V4728700	KNOB D12		BL	ノブ D 1 2	

* New Parts (新規部品)

Note) Those parts marked with “#” are not included in the P.C.B. ass'y. (マーク#の部品は、基板に含まれません)

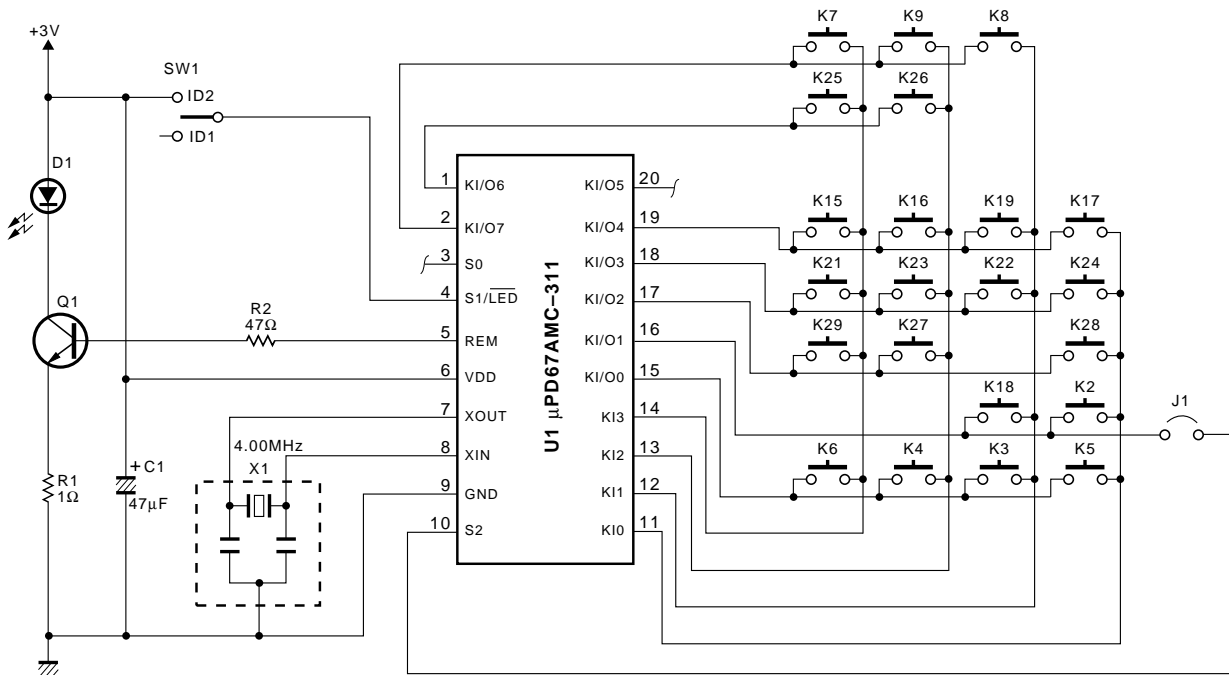
Ref. No.	Part No.	Description	Remarks	Markets	部品名	Rank
* 116	WG277200	KNOB D12			ノブ D 1 2	
120	V6876200	BUTTON/D5			ボタン / D 5	
* 120	V6876100	BUTTON/D5			ボタン / D 5	
* 120	V8540300	BUTTON/D5			ボタン / D 5	
130	VQ861500	CUSHION/SHEET			クッション / シート	01
132	VQ368600	PUSH RIVET	P3555-B		プッシュリベット	01
* 133	WF487700	PLATE SIDE			プレートサイド	
* 133	WF487600	PLATE SIDE			プレートサイド	
* 133	WF487800	PLATE SIDE			プレートサイド	
142	VU984400	RING	D14		リング	01
145	V5247600	DAMPER			ダンパー	
155	AA627310	GROUND TERMINAL			GNDターミナル	01
157	WE774100	BIND HEAD BONDING B-T. SCREW	3x8 MFZN2B3		ボンディング B タイトネジ	01
158	WE774300	BIND HEAD B-TIGHT SCREW	3x8 MFZN2W3		バインド B タイトネジ	01
160	VT669300	PW HEAD B-TIGHT SCREW	3x8-8 MFC2		PWヘッド B タイトネジ	01
161	VT669400	PW HEAD B-TIGHT SCREW	3x15-8 MFC2		PWヘッド B タイトネジ	01
* 168	WF821300	BIND HEAD S-TIGHT SCREW	4x7 MFZN2W3		バインド S タイトネジ	
170	VD069600	PW HEAD S-TIGHT SCREW	4x8-10 MFNI33	GD, TI	PWヘッド S タイトネジ	01
170	VH313200	PW HEAD S-TIGHT SCREW	4x8-10 MFNI3BL	BL	PWヘッド S タイトネジ	01
171	WE200400	DISH HEAD B-TIGHT SCREW	3x6 MFNI33	GD, TI	D I S H B タイトネジ	01
171	WE200500	DISH HEAD B-TIGHT SCREW	3x6 MFNI3BL	BL	D I S H B タイトネジ	01
172	VY731200	BONDING HEAD TAPPING SCREW	3x10 MFNI33		ボンディング B タイトネジ	01
* 200	WF676200	ACCESSORIES REMOTE CONTROL	RAX15		付属品 リモコン	
200-1	AAX70730	BATTERY COVER BATTERY, MANGANESE DRY	UM-4NE (2pcs)	CG-8912	電池蓋 マンガン電池 4 P C S	

* New Parts (新規部品)

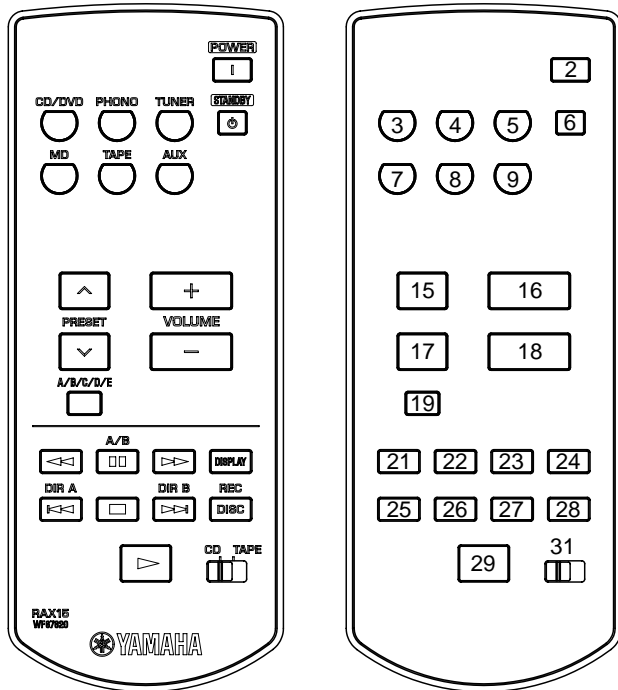
Note) Those parts marked with “#” are not included in the P.C.B. ass'y. (マーク#の部品は、基板に含まれません)

REMOTE CONTROL RAX15

SCHEMATIC DIAGRAM



KEY NO. LAYOUT



YAMAHA RAX15 IR CODE TABLE

Key No.	Key Name	Format	Code (ID1)			
			DEVICE			
			CD		TAPE	
1	(no key)		(no code)			
2	POWER	NEC	7A-1D			
3	CD/DVD	NEC	7A-15			
4	PHONO	NEC	7A-14			
5	TUNER	NEC	7A-16			
6	STANDBY	NEC	7A-1E			
7	MD	NEC	7A-C9			
8	TAPE	NEC	7A-18			
9	AUX	NEC	7A-55			
10	(no key)		(no code)			
11	(no key)		(no code)			
12	(no key)		(no code)			
13	(no key)		(no code)			
14	(no key)		(no code)			
15	PRESET (+)	NEC	7A-10			
16	VOLUME (+)	NEC	7A-1A			
17	PRESET (-)	NEC	7A-11			
18	VOLUME (-)	NEC	7A-1B			
19	A/B/C/D/E	NEC	7A-12			
20	(no key)		(no code)			
21	Device	NEC	REW	7A-0D	REW	7A-01
22	Device	NEC	PAUSE	7A-09	A/B	7A-06
23	Device	NEC	FF	7A-0C	FF	7A-02
24	Device	NEC	DISPLAY	7A-0A		(no code)
25	Device	NEC	SKIP (-)	7A-0B	DIR A	7A-07
26	Device	NEC	STOP	7A-09	STOP	7A-03
27	Device	NEC	SKIP (+)	7A-0A	DIR B	7A-04
28	Device	NEC	DISC SKIP	7A-4F	REC	7A-04
29	Device	NEC	PLAY	7A-08	PLAY	7A-00
30	(no sw)					
31	CD/TAPE					

Parts List for Carbon Resistors

Value	1/4W Type Part No.	1/6W Type Part No.	Value	1/4W Type Part No.	1/6W Type Part No.
1.0 Ω	HJ35 3100	HF85 3100	10 kΩ	HF45 7100	HF45 7100
1.8 Ω	HJ35 3180	*	11 kΩ	HF45 7110	HF45 7110
2.2 Ω	HJ35 3220	HF85 3220	12 kΩ	HJ35 7120	HF85 7120
3.3 Ω	HJ35 3330	HF85 3330	13 kΩ	HF45 7130	HF45 7130
4.7 Ω	HJ35 3470	HF85 3470	15 kΩ	HF45 7150	HF45 7150
5.6 Ω	HJ35 3560	HF85 3560	18 kΩ	HF45 7180	HF45 7180
10 Ω	HF45 4100	HF45 4100	22 kΩ	HF45 7220	HF45 7220
15 Ω	HJ35 4150	HF85 4150	24 kΩ	HF45 7240	HF45 7240
22 Ω	HF45 4220	HF45 4220	27 kΩ	HJ35 7270	HF85 7270
27 Ω	HJ35 4270	HF85 4270	30 kΩ	HF45 7300	HF45 7300
33 Ω	HF45 4330	HF45 4330	33 kΩ	HF45 7330	HF45 7330
39 Ω	HJ35 4470	HF85 4390	36 kΩ	HF45 7360	HF45 7360
47 Ω	HF45 4470	HF45 4470	39 kΩ	HF45 7390	HF45 7390
56 Ω	HF45 4560	HF45 4560	47 kΩ	HF45 7470	HF45 7470
68 Ω	HF45 4680	HF45 4680	51 kΩ	HF45 7510	HF45 7510
75 Ω	HF45 4750	HF45 4750	56 kΩ	HF45 7560	HF45 7560
82 Ω	HF45 4820	HF45 4820	62 kΩ	HF45 7620	HF45 7620
91 Ω	HF45 4910	HF45 4910	68 kΩ	HF45 7680	HF45 7680
100 Ω	HF45 5100	HF45 5100	82 kΩ	HF45 7820	HF45 7820
110 Ω	HJ35 5110	HF85 5110	91 kΩ	HF45 7910	HF45 7910
120 Ω	HF45 5120	HF45 5120	100 kΩ	HF45 8100	HF45 8100
150 Ω	HF45 5150	HF45 5150	110 kΩ	HF45 8110	HF45 8110
160 Ω	HJ35 5160	*	120 kΩ	HF45 8120	HF45 8120
180 Ω	HF45 5180	HF45 5180	150 kΩ	HF45 8150	HF45 8150
200 Ω	HF45 5200	HF45 5200	180 kΩ	HF45 8180	HF45 8180
220 Ω	HF45 5220	HF45 5220	220 kΩ	HJ35 8220	HF85 8220
270 Ω	HF45 5270	HF45 5270	270 kΩ	HF45 8270	HF45 8270
330 Ω	HF45 5330	HF45 5330	300 kΩ	HF45 8300	HF45 8300
390 Ω	HF45 5390	HF45 5390	330 kΩ	HF45 8330	HF45 8330
430 Ω	HF45 5430	HF45 5430	390 kΩ	HJ35 8390	HF85 8390
470 Ω	HF45 5470	HF45 5470	470 kΩ	HF45 8470	HF45 8470
510 Ω	HF45 5510	HF45 5510	560 kΩ	HJ35 8560	HF85 8560
560 Ω	HF45 5560	HF45 5560	680 kΩ	HJ35 8680	HF85 8680
680 Ω	HF45 5680	HF45 5680	820 kΩ	HJ35 8820	HF85 8820
820 Ω	HF45 5820	HF45 5820	1.0 MΩ	HF45 9100	HF45 9100
910 Ω	HF45 5910	HF45 5910	1.2 MΩ	HJ35 9120	*
1.0 kΩ	HF45 6100	HF45 6100	1.5 MΩ	HJ35 9150	HF85 9150
1.2 kΩ	HF45 6120	HF45 6120	1.8 MΩ	HJ35 9180	HF85 9180
1.5 kΩ	HF45 6150	HF45 6150	2.2 MΩ	HJ35 9220	HF85 9220
1.8 kΩ	HF45 6180	HF45 6180	3.3 MΩ	HJ35 9330	HF85 9330
2.0 kΩ	HJ35 6200	HF85 6200	3.9 MΩ	HJ35 9390	*
2.2 kΩ	HF45 6220	HF45 6220	4.7 MΩ	HJ35 9470	HF85 9470
2.4 kΩ	HJ35 6240	HF85 6240			
2.7 kΩ	HF45 6270	HF45 6270			
3.0 kΩ	HF45 6300	HF45 6300			
3.3 kΩ	HF45 6330	HF45 6330			
3.6 kΩ	HJ35 6360	HF85 6360			
3.9 kΩ	HF45 6390	HF45 6390			
4.7 kΩ	HF45 6470	HF45 6470			
5.1 kΩ	HF45 6510	HF45 6510			
5.6 kΩ	HF45 6560	HF45 6560			
6.8 kΩ	HF45 6680	HF45 6680			
8.2 kΩ	HF45 6820	HF45 6820			
9.1 kΩ	HF45 6910	HF45 6910			

1/4W Type

HJ35 ○○○○

10mm

1/6W Type

HF45 ○○○○

HF85 ○○○○

5mm

AX-397



AX-397
